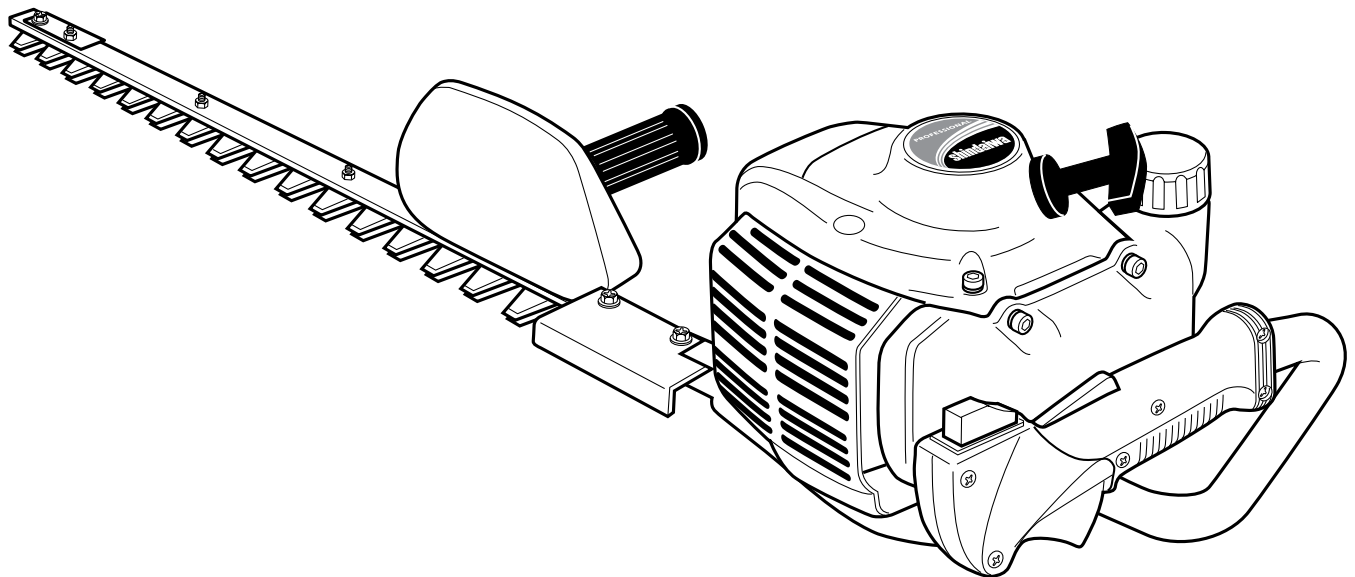


**SHINDAIWA OWNER / OPERATOR'S MANUAL**

# **HT231 HEDGE TRIMMER**



**WARNING!**

Minimize the risk of injury to yourself and others!  
Read this manual and familiarize yourself with the contents.  
Always wear eye and hearing protection when operating this unit

**shindaiwa<sup>®</sup>**

Numéro de référence 89309 Rév. 6/09

## Introduction

The Shindaiwa 231 series of hand-held power equipment is designed and built to deliver superior performance and reliability without compromise to quality, comfort, safety or durability. Shindaiwa engines represent the leading edge of high-performance engine technology, delivering exceptionally high power with remarkably low displacement and weight. As an owner/operator, you'll soon discover for yourself why Shindaiwa is simply in a class by itself!

### IMPORTANT!

The information contained in these instructions describes units available at the time of publication.

Shindaiwa Inc. reserves the right to make changes to products without prior notice, and without obligation to make alterations to units previously manufactured.



### WARNING!

The engine exhaust from this product contains chemicals known to the State of California to cause cancer, birth defects or other reproductive harm.

## Contents

	PAGE		PAGE		PAGE
Safety .....	3	Filling the fuel tank .....	6	Operation .....	8
Product Description.....	5	Starting the Engine .....	7	Maintenance .....	9
Specifications.....	5	Stopping the engine .....	8	Troubleshooting Guide .....	13
Mixing fuel.....	6	Adjusting engine idle .....	8	Emission System Warranty.....	16

### IMPORTANT!

The operational procedures described in this manual are intended to help you get the most from this unit as well as to protect you and others from harm. These procedures are guidelines for safe operation under most conditions, and are not intended to replace any safety rules and/or laws that may be in force in your area. If you have questions regarding your series of hand-held power equipment, or if you do not understand something in this manual, contact Shindaiwa Inc. at the address printed on the back of this Manual.

## Attention Statements

Throughout this manual are special "attention statements".



### DANGER!

A statement preceded by the triangular attention symbol and the word "DANGER" contains information that should be acted upon to prevent serious injury or death.



### WARNING!

A statement preceded by the triangular attention symbol and the word "WARNING" contains information that should be acted upon to prevent serious bodily injury.

### CAUTION!

A statement preceded by the word "CAUTION" contains information that should be acted upon to prevent mechanical damage.

### NOTE:

A statement preceded by the word "NOTE" contains information that is handy to know and may make your job easier.

### IMPORTANT!

A statement preceded by the word "IMPORTANT" is one that possesses special significance.

## Safety and operation labels



A hedge trimmer has the potential to cause serious personal injury to the operator or bystanders if misused, abused or mishandled. You must observe all special safety instructions to reduce the risk of personal injury.



Always wear a hard hat to reduce the risk of head injuries during operation of this machine. In addition, always wear eye and hearing protection. Shindaiwa recommends wearing a face shield as additional face and eye protection.



Keep hands clear of the cutter blades when starting the engine.



Read and follow this manual, make sure anyone using the trimmer does likewise. Failure to do so could result in serious personal injury or machine failure. Keep this manual for future reference.



The blades are SHARP. Handle with care.



WARNING! Surface can be hot. Always wear gloves when handling this unit.

# Safety

## Work Safely

A hedge trimmer has the potential to cause serious personal injury to the operator or bystanders if misused, abused or mishandled. To reduce the risk of injury, you must maintain control at all times, and observe all safety precautions during operation. Never permit a person without training or instruction to operate this machine!

## Stay Alert

You must be physically and mentally fit to operate this unit safely.

**WARNING!** Never operate power equipment of any kind if you are tired or if you are under the influence of alcohol, drugs, medication or any other substance that could affect your ability or judgement.



**WARNING!** Never make unauthorized attachment installations. Always use genuine Shindaiwa parts and accessories when repairing or maintaining this unit.

**WARNING! Use Good Judgement**

**NEVER** transport the unit or leave it unattended with the engine running. An engine that's running could be accidentally accelerated causing the blades to move. Make sure that the blade cover is in place when transporting or storing the hedge trimmer.

**ALWAYS** make sure that the cutter attachment and all handles and guards are properly installed and firmly tightened before operation.

Inspect for broken, missing or improperly installed parts or attachments.

**NEVER** use a cracked or warped cutter or cutter bar: replace it with a serviceable one and make sure it fits properly.

Make sure there are no missing or loose fasteners, and that the stop switch and throttle controls are working properly.

Make sure there is always good ventilation when operating the hedge trimmer. Fumes from engine exhaust can cause serious injury or death. **NEVER** run the engine indoors!

**NEVER** smoke or light fires near the hedge trimmer. Keep the unit away from excessive heat. Engine fuel is very flammable and fire could lead to serious personal injury or property damage.

Do not operate this machine with the muffler removed.

**NEVER** attempt cutter adjustment with the engine running!

Before starting the engine, make sure the cutter is not contacting anything.

**ALWAYS** confirm safe operation when using the machine, especially when operating on steps or a ladder.

Immediately stop the engine with the stop switch if the machine suddenly begins to vibrate or shake.

**ALWAYS** stop the engine immediately and check for damage if you strike a foreign object or if the machine becomes tangled. Do not operate with broken or damaged equipment.

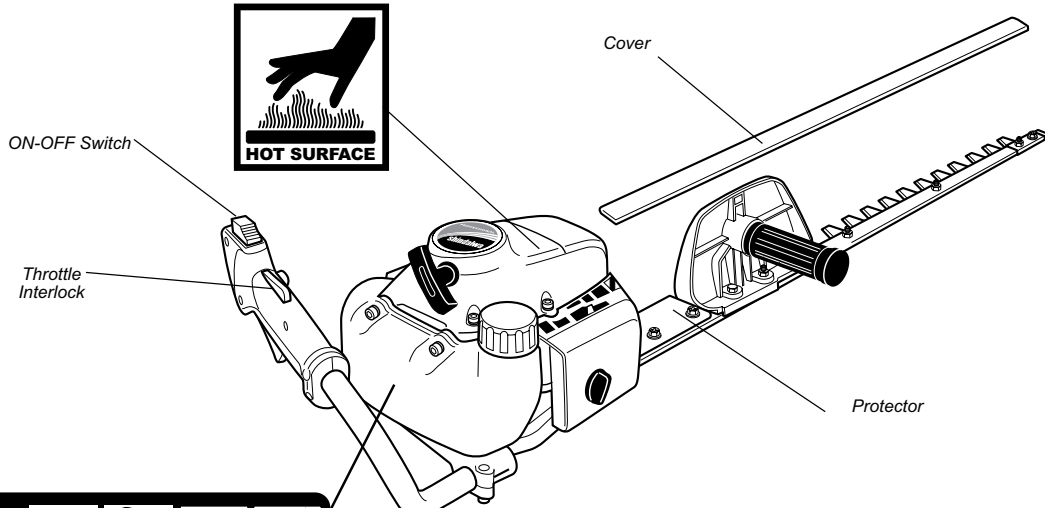
When cutting a branch that is under tension, be alert for spring-back so that you will not be struck by the moving branch.

If a cutter should bind fast in a cut, shut off the engine immediately. Push the branch or tree to ease the bind and free the cutter.

**ALWAYS** stop the engine and allow it to cool before refueling. Avoid overfilling and wipe off any fuel that may have spilled.

To reduce fire hazard, keep the engine and muffler free of debris, leaves, or excessive grease.

## Safety devices and labels



**CAUTION** READ AND FOLLOW THE INSTRUCTIONS IN THE OPERATORS MANUAL. WEAR EYE AND HEARING PROTECTION AT ALL TIMES DURING OPERATION. THE BLADES ARE SHARP! HANDLE WITH CARE. KEEPS HANDS CLEAR OF CUTTER BLADES WHEN STARTING THE ENGINE.

**IMPORTANT!** Caution, Danger, Warning, and Operation Information Labels: Make sure all information labels are undamaged and readable. Immediately replace damaged or missing information labels. New labels are available from your local authorized Shindaiwa dealer.

## Safety (continued) Operating the Hedge Trimmer

*ALWAYS protect yourself from hazards such as thorny brush and flying debris by wearing gloves and close fitting clothing that covers arms and legs. Never wear shorts. Don't wear loose clothing or items such as jewelry that could get caught in machinery or underbrush. Secure long hair so it is above shoulder level.*

*NEVER allow children to use the unit. Avoid operating near bystanders.*

*ALWAYS wear eye, ear, and hand protection while operating this unit!*

*ALWAYS operate with both hands firmly gripping the unit.*

*ALWAYS stop the engine before removing branches or debris from the cutters! Never allow the cutters to contact buildings or other hard objects!*

*NEVER operate this unit if the safety guard has been removed or damaged!*

*ALWAYS stop the engine and install the blade cover before moving to another work site, and maintain a firm footing while operating or carrying the trimmer.*

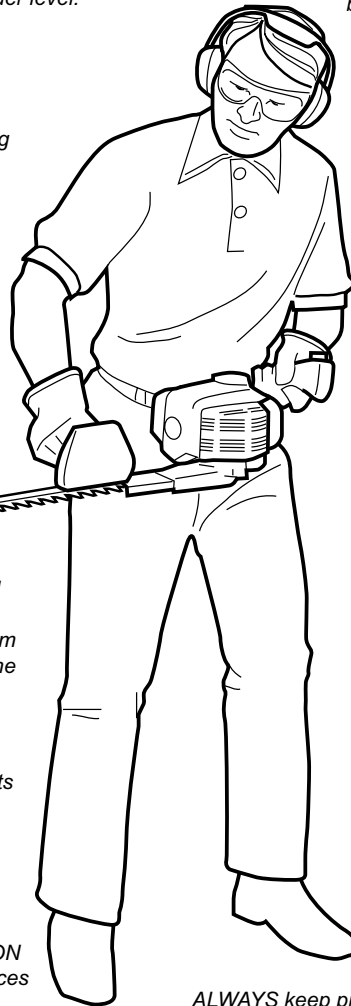
*AVOID using or storing this unit in a wet environment. Water on the cutters may enter the gearcase and damage your unit.*

*NEVER cut metal objects or wire with the blade.*

*AVOID cutting large or extremely "woody" branches. Doing so can shorten cutter life, and may also damage the gearcase.*

*USE EXTREME CAUTION when operating near fences or electric wiring.*

*ALWAYS keep proper footing and do not overreach. Maintain your balance at all times during operation.*



### CAUTION

Always maintain this unit according to this owner's manual and follow the recommended scheduled maintenance.

Never modify or disable any of the unit's safety devices.

Always use genuine Shindaiwa parts and accessories when repairing or maintaining this machine.

Do not make unauthorized modifications to the unit.

Never allow the engine to run at high RPM without a load. Doing so could damage the engine.

When transporting the unit in a vehicle, tie it down securely to prevent fuel spillage or damage to the machine.

Always stop the engine and allow it to cool before refueling. Avoid overfilling and wipe off any fuel that may have spilled.

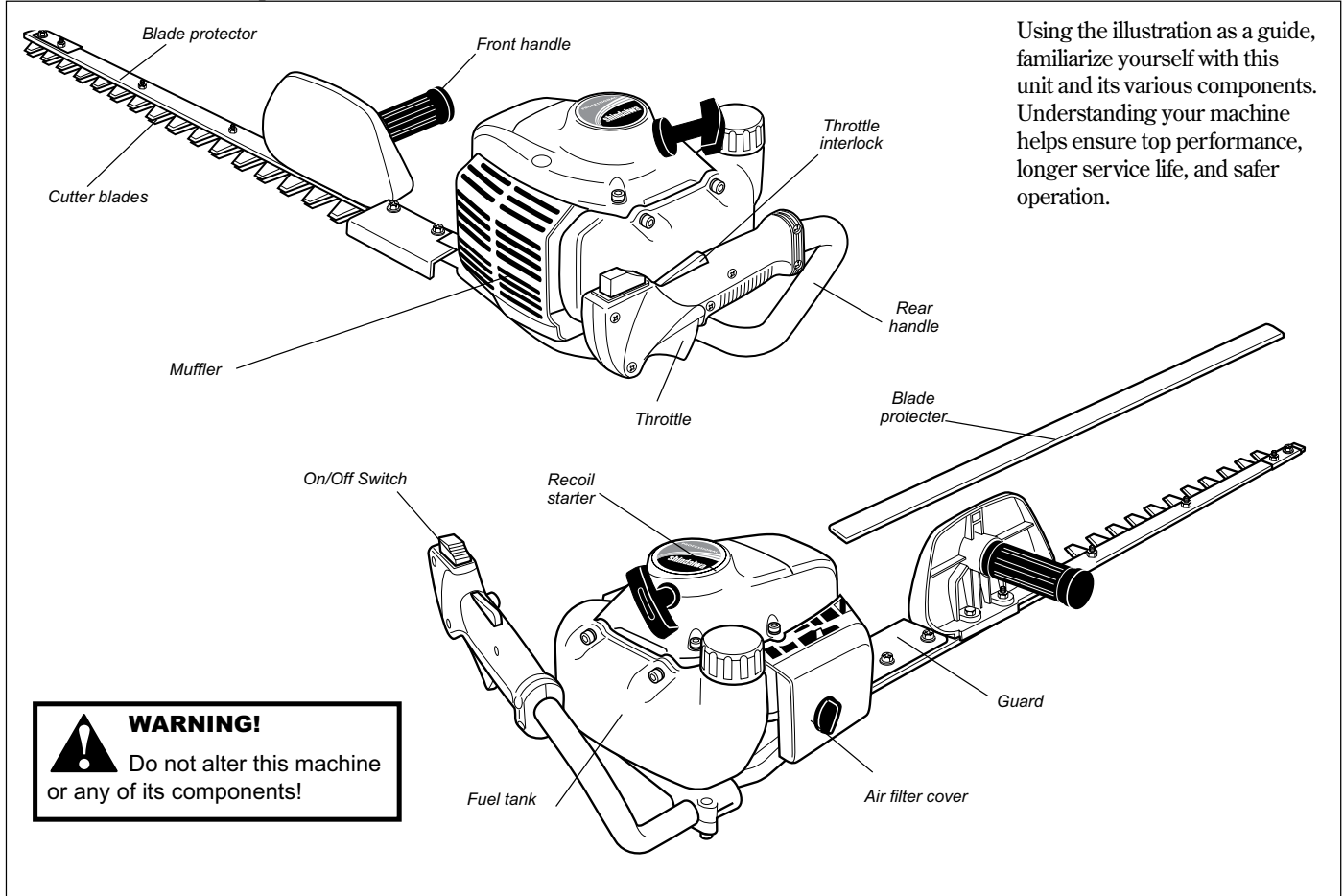
Never place flammable material close to the engine muffler and never run the engine without the spark arrestor screen in place.

Keep the cutters sharp and properly adjusted.

Keep the unit as clean as possible. Keep it free of loose vegetation, mud, etc.

## Product Description

Using the illustration as a guide, familiarize yourself with this unit and its various components. Understanding your machine helps ensure top performance, longer service life, and safer operation.



## Specifications

Model	HT231-30	HT231-40
Engine Type	2-cycle, horizontal cylinder, air cooled	
Engine Bore x Stroke	32 mm x 28 mm	
Engine Displacement	22.5cc	
Unit Weight, Less Fuel	5.9 kg (13.0 lb)	6.4 kg (14.1 lb)
Unit Dimensions (LxWxH)	990 x 210 x 210 mm	1330 x 210 x 210 mm
Max. Power	1.1 hp @ 8000 min-1 (rpm)	
Recommended idle speed	3,000 (±250) min-1 (rpm)	
Fuel Tank Capacity	0.6 liter/20.3 oz.	
Fuel/oil ratio	50:1 with *ISO-L-EGD or JASO FC class 2-cycle Mixing Oil	
Carburetor	Walbro WYJ, Diaphragm type	
Ignition	Fully electronic, transistor controlled	
Spark Plug	Champion CJ8Y	
Electrode Gap	1.6 - 0.7 mm / .024 - .028 "	
Torque	170-190 kg cm / 17-19 N-m	
Air Cleaner	Foam element	
Muffler Type	2-stage catalyst	
Starting Method	Recoil type	
Stopping Method	Slide switch, grounding type	
Blade Length	740 mm	1080 mm
Blade Type	Double-blade cutting action: single-edged blade	
Clutch Type	Centrifugal clutch, dry-type	
Gear Type	Spur gears	
Gear Lubrication	Lithium-based grease	
Standard Equipment	Rear handle w/integral controls, anti-vibe mountings, front handle w/guard, tool set, blade scabbard.	
EPA Emission Compliance Period*	Category A	

Specifications are subject to change without notice.

\* The EPA emission compliance referred to on the emission compliance label located on the engine, indicates the number of operating hours for which the engine has been shown to meet Federal emission requirements. Category C = 50 hours (Moderate), B = 125 hours (Intermediate) and A = 300 hours (Extended).

## Mixing fuel

### CAUTION

Never use any type of gasoline containing more than 10% alcohol by volume! Some types of gasoline contain alcohol as an oxygenate. Oxygenated gasoline may cause increased operating temperatures. Under certain conditions, alcohol-based gasoline may also reduce the lubricating qualities of some 2-cycle mixing oils.

Generic oils and some outboard oils should never be used in your Shindaiwa engine.

### CAUTION

This engine is designed to operate on a 50:1 mixture consisting of unleaded gasoline and ISO-L-EGD or JASO FD class 2-cycle mixing oil only. Use of non-approved mixing oils can lead to excessive carbon deposits.

- Use only fresh, clean unleaded gasoline with a pump octane of 87 or higher.
- Mix all fuel with a 2-cycle air-cooled mixing oil that meets or exceeds ISO-L-EGD and/or JASO FD classified oils at 50:1 gasoline/oil ratio.

### CAUTION!

Mix and pour fuel outdoors where there are no sparks and flames.

## Examples of 50:1 mixing quantities

U.S.		METRIC	
Gasoline	2-cycle mixing oil	Gasoline	2-cycle mixing oil
US Gallons	Fl.oz.	Liter	cc.
1	2.6	4	80
2	5.2	8	160
5	13	20	400
10	25.6	30	600
20	51.2	50	1000
50	128	100	2000

### IMPORTANT!

Mix only enough fuel for your immediate needs! If fuel must be stored longer than 30 days and **shindaiwa ONE** oil with fuel stabilizer is not used, it should first be treated with a fuel stabilizer such as STA-BIL™.

**shindaiwa ONE** Oil is a registered JASO FD classified oil and also meets or exceeds ISO-L-EGD performance requirements. Shindaiwa One is recommended for use in all Shindaiwa low emissions engines. Shindaiwa One also includes a fuel stabilizer.

## Filling the fuel tank



### WARNING! Minimize the Risk of Fire

- **NEVER** smoke or light fires near the engine.
- **ALWAYS** stop the engine and allow it to cool before refueling.
- **ALWAYS** Wipe all spilled fuel and move at least 3 meters (10 feet) from the fueling point and source before starting.
- **NEVER** place flammable material close to the engine muffler.
- **NEVER** operate the engine without the muffler and spark arrester screen in place and in good working condition.

- **FUEL IS HIGHLY FLAMMABLE.**
- **ALWAYS** store gasoline in a container approved for flammable liquids.
- **ALWAYS** inspect the unit for fuel leaks before each use. During each refill, check that no fuel leaks from around the fuel cap and/or fuel tank. If fuel leaks are evident, stop using the unit immediately. Fuel leaks must be repaired before using the unit.
- **ALWAYS** move the unit at least 3 meters (10 feet) away from a fuel storage area or other readily flammable materials before starting the engine.

1. Place the unit on a flat, level surface.
2. Clear any dirt or other debris from around the fuel filler cap.

### CAUTION!

Slowly remove the fuel cap only after stopping the engine

3. Remove the fuel cap, and fill the tank with clean, fresh fuel.
4. Reinstall the fuel filler cap and tighten firmly.
5. Wipe away any spilled fuel before starting engine.

## Starting the Engine

### Before starting the engine

This unit comes completely assembled. Before using this product, please make sure you have all the components required for a complete unit. Carefully inspect all components for damage.

- This user manual
- Tool kit including combination spark plug/13mm wrench
- Blade protector

### IMPORTANT!

The terms “left,” “left-hand,” and “LH”; “right,” “right-hand,” and “RH”; “front” and “rear” refer to directions as viewed by the operator during normal operation of this product.

## Starting the Engine

### IMPORTANT!

Engine ignition is controlled by a two position switch mounted on the throttle housing labeled, “T” for ON or START and “O” for OFF or STOP.



### WARNING!

KEEP CLEAR OF THE CUTTING ATTACHMENT DURING STARTING OPERATIONS! THE CUTTERS MAY MOVE WHEN THE ENGINE IS STARTED!

- Place the trimmer on the ground during all starting operations.
- Make sure you have a secure footing, and keep a firm grip on the unit as well.
- Keep all bystanders and pets well clear of the trimmer during starting operations.

1. Slide the ignition switch to the “ON” position.
2. Set the throttle lever to the “fast idle”:
  - a. Depress and hold the throttle lock, then squeeze the throttle lever toward the handgrip on the shaft tube.
  - b. Depress and hold the fast idle button.
  - c. While depressing the fast idle button, release the throttle trigger.
3. Press the primer bulb until fuel can be seen flowing in the transparent return tube.

### IMPORTANT!

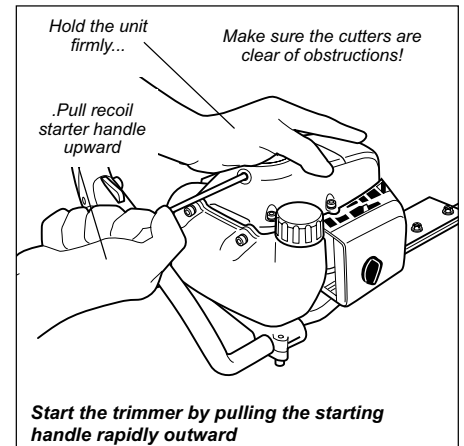
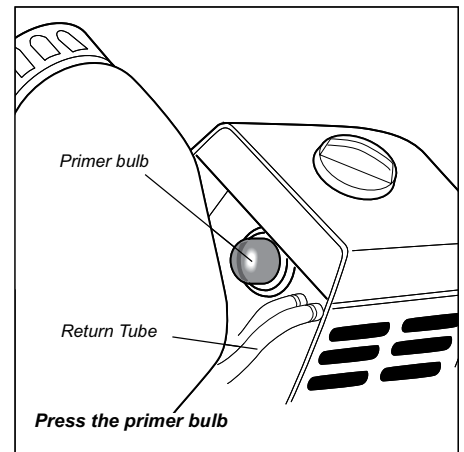
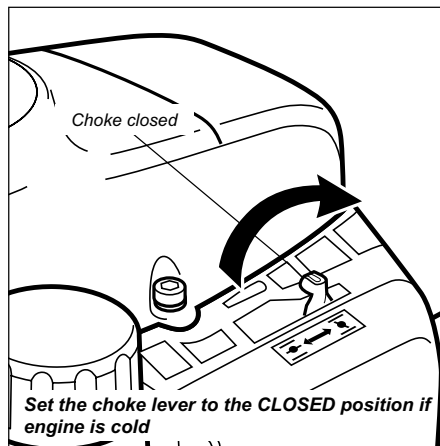
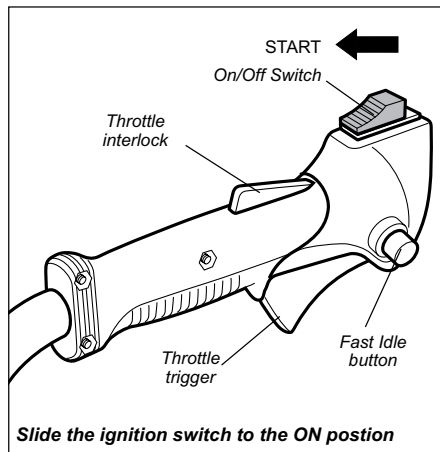
The primer system only pushes fuel through the carburetor. Repeatedly pressing the primer bulb will not flood the engine with fuel.

4. Set the choke lever to the CLOSED position if engine is cold.
5. Place the unit on the ground. Grip the engine cover with your left hand and the starter handle with your right hand (shown).



### WARNING!

Never start the engine from the operating position. The cutting attachment will move when the engine accelerates!



6. Pull the starter handle slowly toward you until you feel the starter mechanism engage.
7. Start the trimmer by pulling the starting handle rapidly outward.

### IMPORTANT!

If the engine fails to start after several attempts with the choke in the closed position, the engine may be flooded with fuel. Refer to the “Starting a Flooded Engine” section of this manual.

### CAUTION!

The recoil starter can be easily damaged by abuse! Never pull the starter cord to its full length.

## Starting the engine (continued)

### When the motor starts...

1. Open the choke by moving the choke lever *backward* (toward the fuel tank).
2. If the engine does not continue to run, repeat the appropriate cranking procedures for a cold or warm engine.
3. When the engine starts, clear excess fuel from the combustion chamber by accelerating the engine several times with the throttle lever.
4. Operating the throttle will automatically disengage the fast idle setting.

### Started a flooded engine



#### WARNING!

Burn danger from hot engine! Allow engine to cool before removing cylinder cover.

1. Disconnect the spark plug lead, and then use the spark plug wrench to loosen and remove the spark plug.
2. If the spark plug is fouled or is soaked with fuel, clean or replace the plug as necessary. For spark plug specifications see the "10 - 15 Hour Maintenance" section.

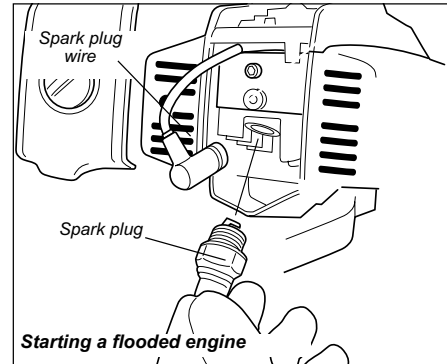
3. With the spark plug removed, crank the engine several times to clear excess fuel from the combustion chamber.
4. Replace the spark plug and tighten it firmly with the spark plug wrench. If a torque wrench is available, torque the spark plug to the values in the "Specifications" section.
5. Repeat the starting procedures for a warm engine.

#### CAUTION!

Incorrect spark plug installation can damage the engine!

### If the engine does not start

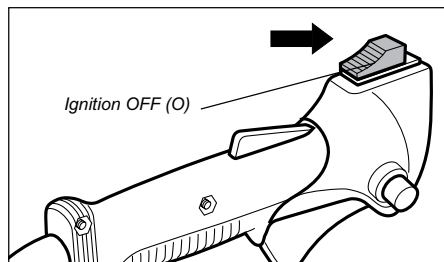
- Repeat the appropriate starting procedure for a cold or warm engine.
- If the engine still fails to start, use the procedures for "Starting a flooded engine."



If the engine still fails to start or fire, refer to the troubleshooting chart at the end of this manual.

## Stopping the engine

1. Cool the engine by allowing it to idle for 2-3 minutes.
2. Move the ignition switch to the "O" or STOP position.



## Adjusting engine idle

The engine must return to idle speed whenever the throttle lever is released. Idle speed is adjustable, and must be set low enough to permit the engine clutch to disengage the cutting attachment.



#### WARNING!

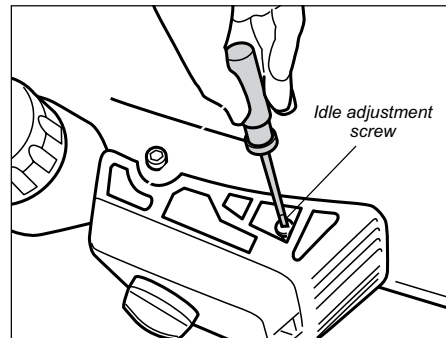
The cutters must NEVER engage at engine idle speeds! If the idle speed cannot be adjusted by the procedure, described here, contact your authorized Shindaiwa servicing dealer.

### Idle Speed Adjustment

1. Place the trimmer on the ground, then start the engine, and then allow it to idle 2-3 minutes until warm.
2. If the attachment rotates when the engine is at idle, reduce the idle speed by turning the idle adjustment screw counter-clockwise.
3. If a tachometer is available, the engine idle speed should be final adjusted to the values in the Specification section..

#### NOTE

Carburetor fuel mixture adjustments are preset at factory and cannot be serviced in the field.



## Operation

- Squeezing the throttle increases engine speed, causing the clutch to engage and operate the cutters.
- Releasing the throttle decreases engine speed, causing the cutters to slow, and then stop altogether as the clutch disengages.
- Use a sweeping motion when cutting, and vary throttle settings often.
- Avoid cutting material larger than 1.27 cm in diameter.



# Maintenance

## General maintenance

### IMPORTANT!

MAINTENANCE, REPLACEMENT OR REPAIR OF EMISSION CONTROL DEVICES AND SYSTEMS MAY BE PERFORMED BY ANY REPAIR ESTABLISHMENT OR INDIVIDUAL; HOWEVER, WARRANTY REPAIRS MUST BE PERFORMED BY A DEALER OR SERVICE CENTER AUTHORIZED BY SWISHER INC. THE USE OF PARTS THAT ARE NOT EQUIVALENT IN PERFORMANCE AND DURABILITY TO AUTHORIZED PARTS MAY IMPAIR THE EFFECTIVENESS OF THE EMISSION CONTROL SYSTEM AND MAY HAVE A BEARING ON THE OUTCOME OF A WARRANTY CLAIM.



### WARNING!

Before performing any maintenance, repair, or cleaning work on the unit, make sure the engine and cutting attachment are completely stopped. Disconnect the spark plug wire before performing service or maintenance.



### WARNING!

Non-standard accessories, cutting attachment, or replacement parts may not operate properly with your unit and may cause damage and lead to personal injury.

### Spark Plug

Keep the spark plug and wire connections tight and clean.

### Fasteners

Make sure nuts, bolts, and screws (except carburetor adjusting screws) are tight.

### NOTE:

Using non-standard replacement parts could invalidate your Shindaiwa warranty.

## Daily maintenance

Prior to each work day, perform the following:



### WARNING!

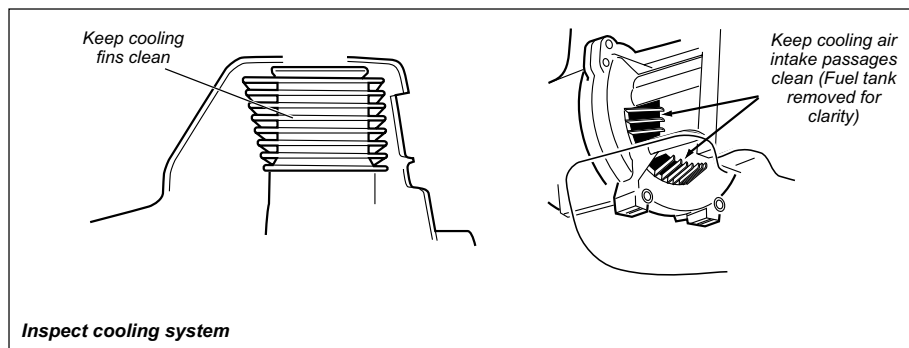
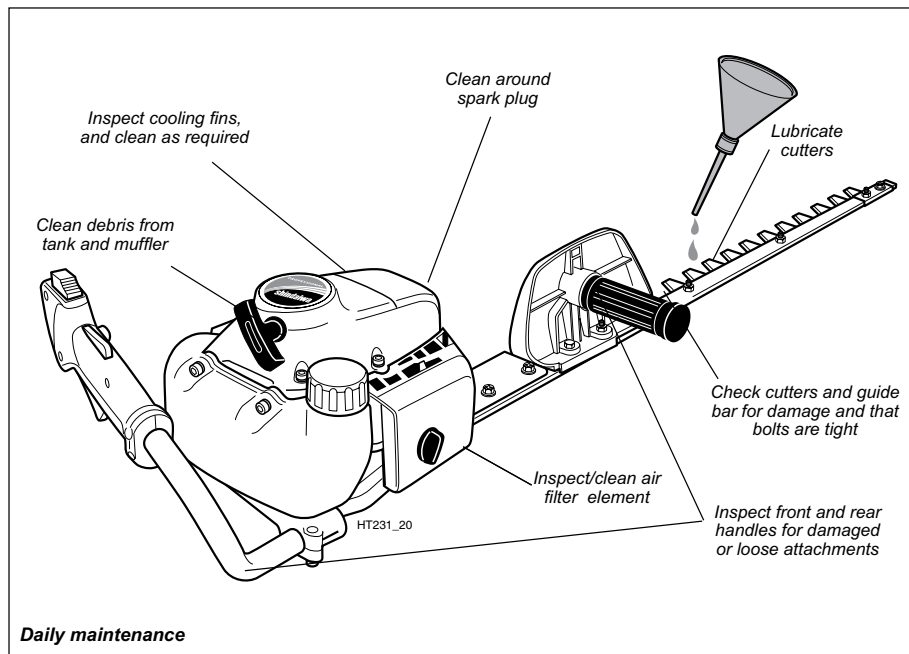
Always wear gloves when working around the cutter assembly.



### WARNING!

To reduce fire hazard, keep the engine and muffler free of debris, leaves, or excessive grease

- Lubricate the cutters with oil before use, and after refueling.
- Check the cutters for damage and make sure all bolts are tight.
- Check for loose, damaged, or missing components, and repair as necessary.
- Remove all grass clippings and dirt from the hedge trimmer.
- Remove any compacted debris from around the fuel tank and/or muffler.
- Inspect cooling system. Check cooling air intake area at base of crankcase. Remove all debris. Dirt build-up in these areas can lead to engine overheating, fire, or premature wear.
- Clean under the cylinder over and around the spark plug.
- Inspect the air filter element for clogging, clean as necessary.
- Check for fuel leaks.



## Maintenance (continued)

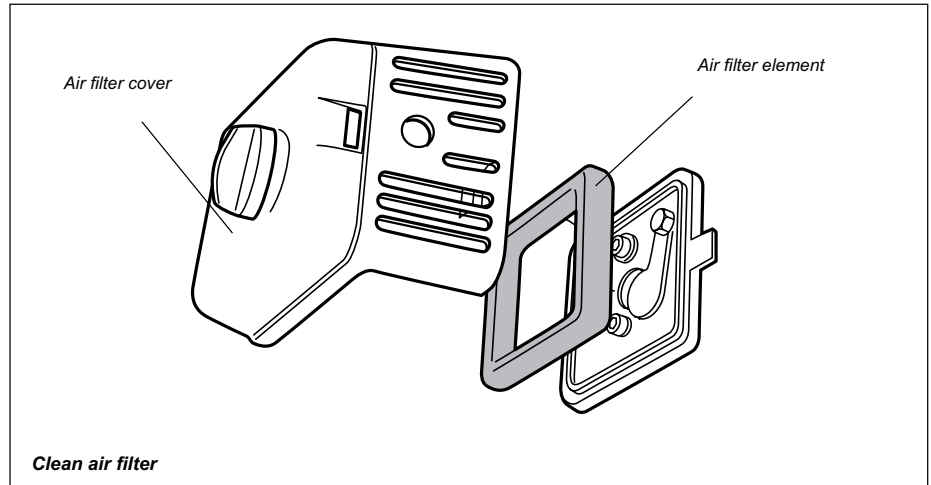
### 10 - hour maintenance

(more frequently in dusty conditions)

1. Remove the air filter element, and wash the element in clean, neutral solvent or warm soapy water. Rinse the element thoroughly, and then squeeze dry before reassembly.

#### CAUTION!

Never operate the unit if the air filter assembly is damaged or missing or if the air filter element is soaked with water!



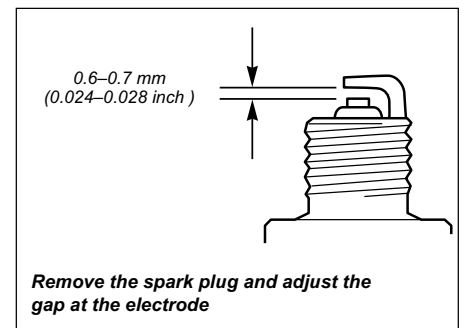
### 10 - 15 hour maintenance

#### Remove and clean the spark plug.

Adjust the spark plug electrode gap to 0.024 - 0.028 inch (0.6 - 0.7 mm). If the spark plug must be replaced, use only the spark plug recommended on the Specifications section or an equivalent resistor type spark plug of the correct heat range.

#### CAUTION!

Before removing the spark plug, clean the area around the plug to prevent dirt and debris from getting into the engine's internal parts.



### Every 20 and 100 hours

#### Gearcase lubrication

#### CAUTION!

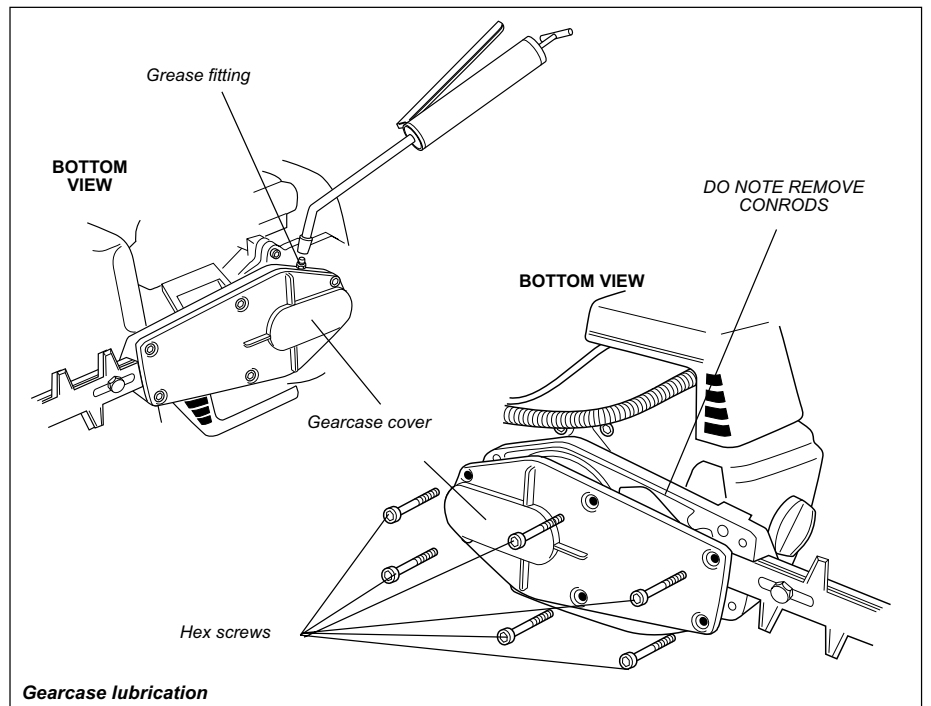
- Over-lubricating may cause the gearcase to run slower than normal, and may also cause leakage from excess grease.
- Do not remove the conrods from the cutters. Conrod bearings can be lost or damaged if disturbed.

#### Every 20 hours

Top off gearcase grease level by using a lever-type grease gun to force 1-2 strokes of high quality lithium-based grease through the gearcase grease fitting.

#### Every 100 hours (or before long-term storage)

Remove the gearcase cover, and use solvent and a soft brush to remove all old grease from the gearcase. To refill, hand-pack the gearcase with approximately 40-50 grams of high quality lithium-based grease (50-70% of capacity). DO NOT OVERFILL!



## 50 hour maintenance

Every 50 hours of operation (more often in dusty or dirty conditions):

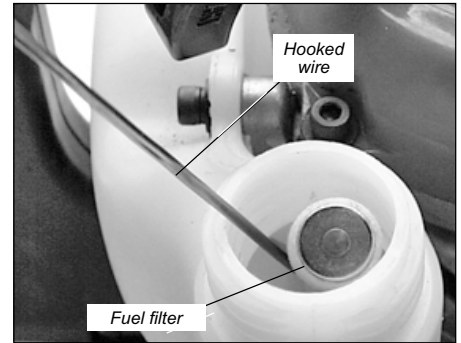
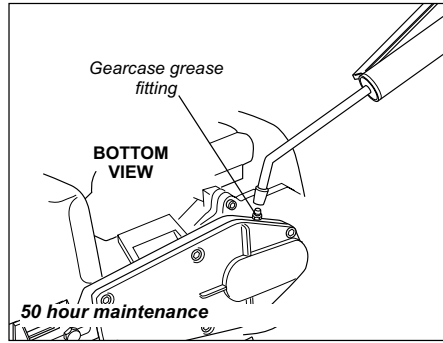
- Remove and clean the cylinder cover and clean grass and dirt from the cylinder fins.

### Gearcase lubrication

Remove the gearcase cover, and use solvent and a soft brush to remove all old grease from the gearcase. To refill, hand-pack the gearcase with approximately 40–50 grams of high quality lithium-based grease (50–70% of capacity). **DO NOT OVERFILL!**

### Remove and replace fuel filter element

- Use a wire hook to extract the fuel filter from inside the fuel tank. Inspect the fuel filter element. If it shows signs of contamination from debris, replace it with a genuine Shindaiwa replacement fuel filter element.



### CAUTION!

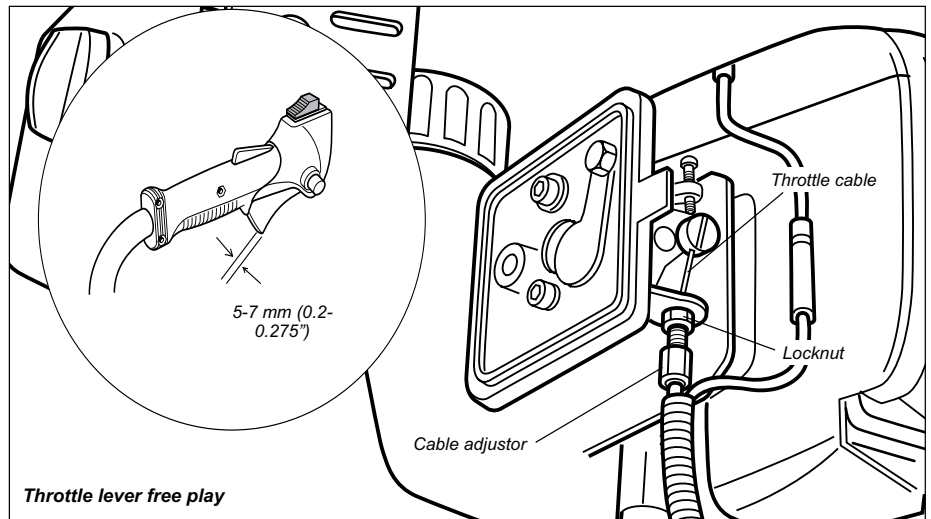
Make sure you do not pierce the fuel line with the end of the hooked wire. The line is delicate and can be damaged easily.

Before reinstalling the filter, inspect the fuel line. If you discover damage or deterioration, the unit should be removed from service until it can be inspected by a Swisher-trained service technician.

## Throttle free play adjustment

If the unit does not return to idle speed or doesn't reach full rpm, the throttle lever free play may need to be adjusted as follows:

1. Measure free play at the end of the throttle lever. Throttle lever free play should be approximately 5-7 mm (0.2-0.275").
2. If adjustment is necessary, remove the air cleaner cover by loosening the two thumbscrews. Loosen the cable adjuster lock nut and turn the cable adjustment fitting in or out until throttle lever free play is approximately 5-7 mm (0.2-0.275").
3. Replace the air cleaner cover, and tighten the cover retaining screws securely.



## Cutter blade adjustment

**WARNING!** The cutter blades are very sharp! Always wear gloves when working around the cutter assembly.

Cutting performance of your machine depends a great deal on proper cutter blade adjustment. Properly adjusted blades will oscillate freely yet help prevent binding of cut material between blades. Adjust blades as follows:

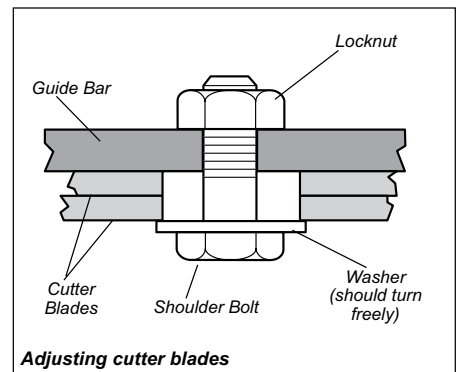
1. Loosen all blade locknuts at least one full turn.
2. Tighten each blade shoulder bolt firmly, and then loosen the shoulder bolts 1/4 to 1/2 turn.

### CAUTION!

Operating the trimmer with worn or improperly adjusted cutters will reduce cutter performance and may also damage your machine. Never operate the machine with damaged or worn cutters.

3. Working from the gearcase end, lock each bolt in place by firmly tightening its locknut while preventing the shoulder bolt from turning.

When shoulder bolt adjustment is correct, there should be a gap of 0.25–0.50 mm between the cutter blades and the flat washers, and the flat washer beneath each bolt head should turn freely.



## Maintenance (continued)

### 139 - hour maintenance

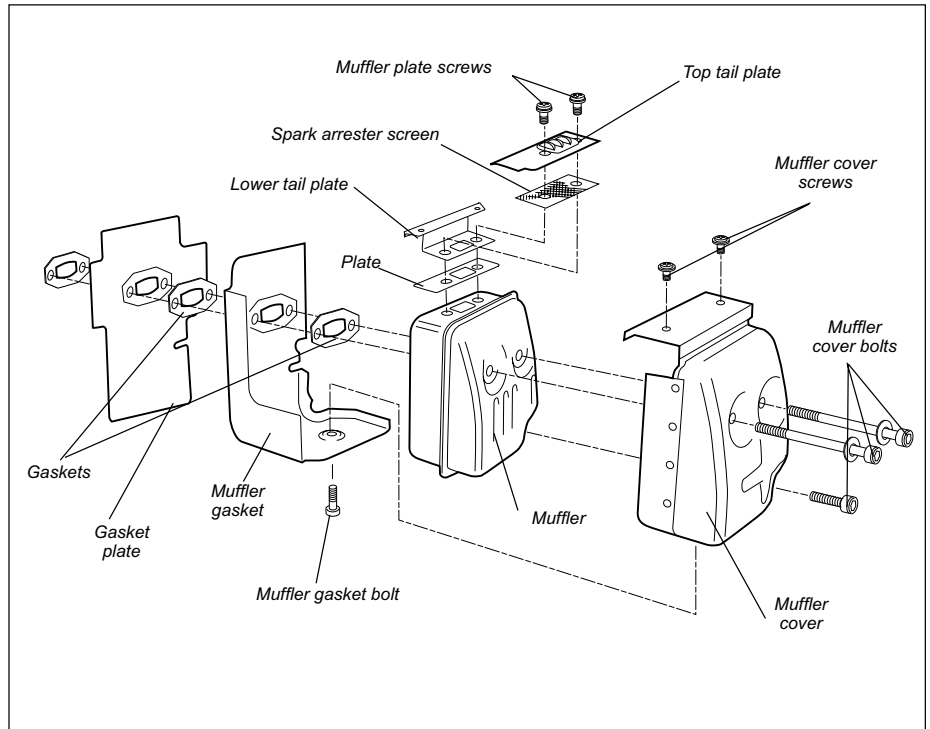


#### WARNING!

Never operate the unit with a damage or missing muffler or spark arrester! Operating with a missing or damaged spark arrester is a fire hazard and could also damage your hearing.

If the engine becomes sluggish and low on power, check and clean the spark arrester screen.

1. Loosen the knob of the spark plug cover and remove the cover.
2. Remove the spark plug lead from the spark plug.
3. Loosen the four 5 mm bolts located at the top of the recoil starter housing and remove the cover.
4. Loosen the 5 mm bolt located at the top of the cylinder cover and two 4 mm bolts located at the bottom of the cylinder cover and remove cover.
5. Loosen three 5 mm muffler cover bolts and remove the muffler cover.
6. Remove muffler gasket bolt.
7. Loosen two 4 mm screws from the muffler cover.
8. Remove two 4 mm screws from the top tail plate and remove tail plate.



9. Remove the spark arrester screen and clean with a stiff bristle brush.
10. Remove the muffler from the engine and inspect the cylinder exhaust port for carbon buildup.
11. Reassemble the muffler in the reverse order of disassembly.

#### IMPORTANT!

If you note excessive carbon buildup, consult your servicing dealer.

## Long Term Storage

Whenever the unit will not be used for 30 days or longer, use the following procedures to prepare it for storage:

- Clean external parts thoroughly.
- Drain all the fuel from the carburetor and the fuel tank.

To do so:

1. Prime the primer bulb until no more fuel is passing through.
  2. Start and run the engine until it stops running.
  3. Repeat steps 1 and 2 until the engine will no longer start.
- Remove the spark plug and pour about

#### CAUTION!

Gasoline stored in the carburetor for extended periods can cause hard starting, and could also lead to increased service and maintenance costs.

#### IMPORTANT!

All stored fuels should be stabilized with a fuel stabilizer such as STA-BIL.

#### NOTE

Damage caused by stale or contaminated fuel is not covered by the Shindaiwa warranty policy.

7 ml (4 oz.) of 2-cycle mixing oil into the cylinder through the spark plug hole. Slowly pull the recoil starter 2 or 3 times so oil will evenly coat the interior of the engine. Reinstall the spark plug.

- Before storing the unit, repair or replace any worn or damaged parts.
- Remove the air cleaner element from the carburetor and clean it thoroughly with soap and water, let dry and reassemble the element.
- Store the unit in a clean, dust-free area.

# Troubleshooting Guide

## ENGINE DOES NOT START

What To Check	Possible Cause	Remedy
<p>Does the engine crank?</p> <p>YES</p>	<p>NO</p> <p>Faulty recoil starter. Fluid in the crankcase. Internal damage.</p>	<p>Consult with an authorized servicing dealer.</p>
<p>Good compression?</p> <p>YES</p>	<p>NO</p> <p>Loose spark plug. Excess wear on cylinder, piston, rings.</p>	<p>Tighten and re-test. Consult with an authorized servicing dealer.</p>
<p>Does the tank contain fresh fuel of the proper grade?</p> <p>YES</p>	<p>NO</p> <p>Fuel incorrect, stale, or contaminated; mixture incorrect.</p>	<p>Refill with fresh, clean unleaded gasoline with a pump octane of 87 or higher mixed with a 2-cycle mixing oil that meets or exceeds ISO-L-EGD and/or JASO FD classified oils at 50:1 gasoline/oil ratio.</p>
<p>Is fuel visible and moving in the return line when priming?</p> <p>YES</p>	<p>NO</p> <p>Check for clogged fuel filter and/or vent. Primer pump functioning incorrectly.</p>	<p>Replace fuel filter or vent as required. Restart. Consult with an authorized servicing dealer.</p>
<p>Is there spark at the spark plug wire terminal?</p> <p>YES</p>	<p>NO</p> <p>The ignition switch is in "O" (OFF) position. Shorted ignition ground. Faulty ignition unit.</p>	<p>Move switch to "I" (ON) position and restart. Consult with an authorized servicing dealer.</p>
<p>Check the spark plug.</p>	<p>If the plug is wet, excess fuel may be in the cylinder.</p> <p>The plug is fouled or improperly gapped.</p> <p>The plug is damaged internally or of the wrong size.</p>	<p>Crank the engine with the plug removed, reinstall the plug, and restart. Clean and regap the plug. Check the "Specifications" section for the correct plug electrode gap. Restart. Replace the spark plug. Check the "Specifications" section for the correct plug for your unit. Restart.</p>

# Troubleshooting Guide (continued)

## LOW POWER

What To Check	Possible Cause	Remedy
<p>Is the engine overheating?</p>	<p>Operator is overworking the unit.</p> <p>Carburetor mixture is too lean.</p> <p>Improper fuel ratio.</p> <p>Fan, fan cover, cylinder fins dirty or damaged</p> <p>Carbon deposits on the piston or in the muffler.</p>	<p>Operate at slower rate.</p> <p>Consult with an authorized servicing dealer.</p> <p>Refill with fresh, clean unleaded gasoline with a pump octane of 87 or higher mixed with a 2-cycle mixing oil that meets or exceeds ISO-L-EGD and/or JASO FD classified oils at 50:1 gasoline/oil ratio.</p> <p>Clean, repair or replace as necessary.</p> <p>Consult with an authorized servicing dealer</p>
<p>Engine is rough at all speeds. May also have black smoke and/or unburned fuel at the exhaust.</p>	<p>Clogged air cleaner element.</p> <p>Loose or damaged spark plug.</p> <p>Air leakage or clogged fuel line.</p> <p>Water in the fuel.</p> <p>Piston seizure.</p> <p>Faulty carburetor and/or diaphragm</p>	<p>Clean or replace the air filter</p> <p>Tighten or replace the spark plug. Restart. Check the Specifications page in this manual for the correct spark plug for this unit.</p> <p>Repair or replace fuel filter and/or fuel line.</p> <p>Refill with fresh fuel/oil mixture.</p> <p>Consult with an authorized servicing dealer.</p>
<p>Engine is knocking.</p>	<p>Overheating condition.</p> <p>Improper fuel.</p> <p>Carbon deposits in the combustion chamber.</p>	<p>Consult with an authorized servicing dealer.</p> <p>Check fuel octane rating; check for presence of alcohol in the fuel. Refuel as necessary.</p> <p>Consult with an authorized servicing dealer.</p>

## Troubleshooting Guide (continued)

### ADDITIONAL PROBLEMS

What To Check	Possible Cause	Remedy
<div style="border: 1px solid black; padding: 5px; width: fit-content;"> <b>Poor acceleration.</b> </div>	<ul style="list-style-type: none"> <li>Clogged air filter.</li> <li>Clogged fuel filter.</li> <li>Lean fuel/air mixture.</li> <li>Idle speed set too low.</li> </ul>	<ul style="list-style-type: none"> <li>Clean or replace the air filter.</li> <li>Replace the fuel filter.</li> <li>Consult with an authorized servicing dealer.</li> <li>Adjust idle. Check Specifications page for correct idle speed.</li> </ul>
<div style="border: 1px solid black; padding: 5px; width: fit-content;"> <b>Engine stops abruptly.</b> </div>	<ul style="list-style-type: none"> <li>Switch turned off.</li> <li>Fuel tank empty.</li> <li>Clogged fuel filter.</li> <li>Water in the fuel.</li> <li>Shorted spark plug or loose terminal.</li> <li>Ignition failure.</li> <li>Piston seizure.</li> </ul>	<ul style="list-style-type: none"> <li>Reset the switch and re-start.</li> <li>Refuel. See Fuel section of manual.</li> <li>Replace fuel filter.</li> <li>Drain; replace with clean fuel. See Fuel section of manual.</li> <li>Clean or replace spark plug. Check the Specifications page in this manual for the proper spark plug for your unit. Tighten the terminal.</li> <li>Replace the ignition unit.</li> <li>Consult with an authorized servicing dealer</li> </ul>
<div style="border: 1px solid black; padding: 5px; width: fit-content;"> <b>Engine difficult to shut off.</b> </div>	<ul style="list-style-type: none"> <li>Ground (stop) wire is disconnected or switch is defective</li> <li>Overheating due to incorrect spark plug</li> <li>Overheated engine.</li> </ul>	<ul style="list-style-type: none"> <li>Test and replace as required.</li> <li>Idle engine until cool. Replace the spark plug. Check the Specifications page in this manual for the proper spark plug for your unit.</li> <li>Idle engine until cool.</li> </ul>
<div style="border: 1px solid black; padding: 5px; width: fit-content;"> <b>Cutting attachment moves at engine idle.</b> </div>	<ul style="list-style-type: none"> <li>Engine idle too high.</li> <li>Broken clutch spring or worn clutch spring boss.</li> <li>Loose attachment holder.</li> </ul>	<ul style="list-style-type: none"> <li>Adjust idle. Check Specifications page for correct idle speed.</li> <li>Replace spring/shoes as required.</li> <li>Inspect and re-tighten holders securely.</li> </ul>
<div style="border: 1px solid black; padding: 5px; width: fit-content;"> <b>Attachment will not move.</b> </div>	<ul style="list-style-type: none"> <li>Shaft not installed in powerhead or gearcase.</li> <li>Broken shaft.</li> <li>Damaged gearcase.</li> </ul>	<ul style="list-style-type: none"> <li>Inspect and reinstall as required.</li> <li>Consult with a authorized servicing dealer.</li> </ul>
<div style="border: 1px solid black; padding: 5px; width: fit-content;"> <b>Excessive vibration.</b> </div>	<ul style="list-style-type: none"> <li>Warped or damaged attachment.</li> <li>Loose gearcase.</li> <li>Bent main shaft/worn or damaged bushings.</li> </ul>	<ul style="list-style-type: none"> <li>Inspect and replace attachment as required.</li> <li>Tighten gearcase securely.</li> <li>Inspect and replace as necessary.</li> </ul>
<div style="border: 1px solid black; padding: 5px; width: fit-content;"> <b>Engine will not idle down.</b> </div>	<ul style="list-style-type: none"> <li>Engine idle is set too high.</li> <li>Engine has air leak.</li> </ul>	<ul style="list-style-type: none"> <li>Adjust idle. Check Specifications page for correct idle speed.</li> <li>Consult with a authorized servicing dealer.</li> </ul>

# Emission System Warranty Statement

---

## Your Warranty Rights and Obligations

The California Air Resources Board, the U.S. Environmental Protection Agency and Shindaiwa Inc. are pleased to explain the exhaust and evaporative emission control system warranty on your new small off-road (non-road) engine.

In California, new small off-road engines must be designed, built, and equipped to meet the State's stringent anti-smog standards. In other states, new 1997 and later non-road engines must meet the Federal EPA's stringent anti-smog standards.

Shindaiwa Inc. must warrant the emission control system on your small off-road engine for the periods of time listed below, provided there has been no abuse, neglect, or improper maintenance of your small off-road engine.

Your engine exhaust and evaporative emission control system includes parts such as the carburetor, fuel tank, the ignition system and, if equipped, the catalytic converter. These components are specifically listed below.

Where a warrantable condition exists, Shindaiwa Inc. will repair your small off-road engine at no cost to you including diagnosis, parts, and labor.

## Manufacturer's Warranty Coverage

When sold within the U.S., this engine's emission control system is warranted for a period of two (2) years from the date this product is first delivered to the original retail purchaser.

During the warranty period, Shindaiwa Inc. will, at their option, repair or replace any defective emission-related component on this engine. During the original Warranty Period, these Warranty Rights are automatically transferable to subsequent owners of this product.

## What is Covered by this Warranty

1. Carburetor Internal Components
  - Throttle Valve, Needle, Jet, Metering Diaphragm
2. Fuel Tank
3. Ignition System Components
  - Ignition Coil
  - Flywheel Rotor
4. Catalytic Converter (if originally equipped)

The emission control system for your particular Shindaiwa engine may also include certain related hoses and connectors.

## Owners Warranty Responsibilities

As the small off-road engine owner, you are responsible for the performance of the required maintenance listed in this owners manual. Shindaiwa Inc. recommends that you retain all receipts covering maintenance on your small off-road engine, but Shindaiwa Inc. cannot deny warranty solely for the lack of receipts or for your failure to ensure the performance of all scheduled maintenance.

As the small off-road engine owner, you should be aware, however, that Shindaiwa Inc. may deny you warranty coverage if your small off-road engine or a part has failed due to abuse, neglect, improper maintenance, or unapproved modifications.

You are responsible for presenting your small off-road engine to an authorized Shindaiwa Dealer as soon as a problem exists. The warranty repairs should be completed in a reasonable amount of time, not to exceed 30 days.

If you have any questions regarding your warranty rights and responsibilities, you should contact a Shindaiwa customer service representative at (503) 692-3070 or your local Shindaiwa Dealer.

## Consequential Damages

In the event that other component parts of this product are damaged by the failure of a warranted part, Shindaiwa Inc. will repair or replace such component parts at no charge to you.

## What is Not Covered

- Failures caused by abuse, neglect, or improper maintenance procedures.
- Failures caused by the use of modified or non-approved parts or attachments.

## This Warranty is Administered by:

Shindaiwa Inc.  
11975 S.W. Herman Rd.  
Tualatin, OR 97062  
(503) 692-3070





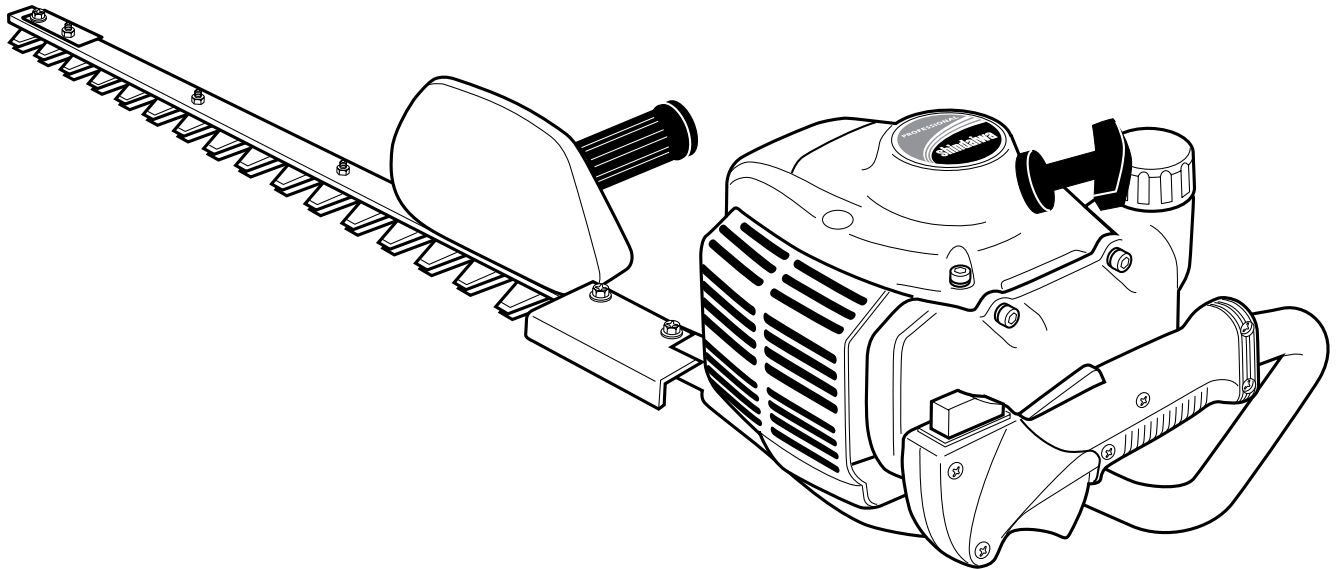






SHINDAIWA MANUAL DEL PROPIETARIO/OPERADOR

# CORTASETOS HT231



## ¡ADVERTENCIA!

Protéjase los ojos siempre que trabaje con esta unidad. Para reducir el riesgo de lesiones, lea este manual y el manual que se entrega junto con el motor multifunción Shindaiwa y familiarícese con los contenidos.

**shindaiwa**<sup>®</sup>

Número de parte 89309 Rev 6/09

## Introducción

La serie de 231 Shindaiwa están diseñados y construidos para proporcionar un rendimiento y fiabilidad superiores sin comprometer su calidad, comodidad, seguridad o durabilidad. Los motores de Shindaiwa representan la tecnología líder en motores de alto rendimiento, desarrollando una potencia excepcionalmente alta con una cilindrada y un peso notablemente bajos. Como propietario o usuario, pronto descubrirá por qué Shindaiwa es, simplemente mejor.

Shindaiwa Inc. se reserva el derecho de realizar cambios a sus productos sin previo aviso, y sin la obligación de hacer modificaciones a máquinas fabricadas previamente

### ¡IMPORTANTE!

La información contenida en este manual describe unidades disponibles a la fecha de su publicación.



### ¡ADVERTENCIA!

Las emisiones liberadas por este producto contienen sustancias químicas que en el estado de California son consideradas como causantes de cáncer, defectos congénitos u otros efectos nocivos a la reproducción humana.

## Contenido

	Página		Página
Seguridad.....	SP_3	Llenando el Tanque de Combustible .....	SP_6
Descripción del Producto.....	SP_5	Arranque del motor .....	SP_7
Especificaciones.....	SP_5	Parada del Motor.....	SP_8
Mezcla de Combustible .....	SP_6	Ajuste de la Marcha Mínima.....	SP_8
		Operación.....	SP_8
		Mantenimiento .....	SP_9
		Guia Diagnostico.....	SP_14
		Declaración de Garantía.....	SP_17

### ¡IMPORTANTE!

Los procedimientos descritos en este manual están pensados para ayudarle a sacar el máximo provecho de esta máquina, así como evitar posibles daños y lesiones. Estos procedimientos deben contemplarse como directrices para un manejo seguro en la mayoría de las condiciones y no pretenden reemplazar ninguna norma ni legislación sobre seguridad que pueda estar vigente en su jurisdicción. Si tiene alguna duda acerca de su herramienta mecánica o si no comprende alguna explicación de este manual, su distribuidor de Shindaiwa estará encantado de atenderle. También puede ponerse en contacto con Shindaiwa Inc. en la dirección impresa en el dorso de este manual.

## Declaraciones De Seguridad

A través de este manual se encuentran "declaraciones de seguridad" especiales.



### ¡PELIGRO!

Toda explicación precedida por el símbolo de atención triangular y la palabra "PELIGRO" indica una situación potencialmente peligrosa que, en caso de no evitarse, se causarían lesiones graves o incluso la muerte.



### ¡ADVERTENCIA!

Toda explicación precedida por el símbolo de atención triangular y la palabra "ADVERTENCIA" indica una situación potencialmente peligrosa que, en caso de no evitarse, PODRÁ provocar la muerte o lesiones graves.

### ¡IMPORTANTE!

Toda explicación precedida por la palabra "IMPORTANTE" tiene especial trascendencia.

### ¡PRECAUCIÓN!

Toda explicación precedida por la palabra "PRECAUCIÓN" contiene información de obligado cumplimiento para evitar que se produzcan daños en la máquina.

### NOTA:

Toda explicación precedida por la palabra "NOTA" contiene información que conviene conocer y que puede facilitarle su trabajo.

## Etiquetas informativas sobre seguridad y funcionamiento



Un cortasetos puede causar graves conjuntos de la cuchilla al operario o transeúntes, si se utiliza mal o de forma incorrecta. Para reducir el riesgo de lesiones, debe mantener el control en todo momento y respetar todas las precauciones de seguridad durante la utilización



Lea y siga las recomendaciones en este manual. De no hacerlo lo podría sufrir lesiones graves.



Mantenga ambas manos distanciadas de las cuchillas al encender y operar esta máquina.



Manipule con mucho cuidado. las cuchillos estan bien afiladas.



¡ADVERTENCIA! Superficie puede estar caliente. Siempre use guantes al manipular esta unidad



Lea y siga las recomendaciones en este manual. De no hacerlo lo podría sufrir lesiones graves.



# Seguridad


## Trabaje con cuidado


Un cortasetos puede causar graves conjuntos de la cuchilla al operario o transeúntes, si se utiliza mal o de forma incorrecta. Para reducir el riesgo de lesiones, debe mantener el control en todo momento y respetar todas las precauciones de seguridad durante la utilización. No permita bajo ningún concepto que una persona sin la formación o las instrucciones adecuadas utilice este cortasetos.

## Manténgase Alerta

Debe de estar física y mentalmente en óptimas condiciones para operar esta máquina con seguridad.

**¡ADVERTENCIA!**  Nunca opere ninguna maquinaria motorizada si está cansado o si está bajo la influencia de alcohol, drogas o medicamentos o cualquier otra sustancia que pueda afectar su habilidad y juicio. 

**¡ADVERTENCIA!**  Nunca instale accesorios no autorizados. No use accesorios no aprobados por Shindaiwa en esta unidad.

**¡ADVERTENCIA!**  **Use Buen Juicio**

**NUNCA** transporte o pierda de vista el cortasetos con el motor en marcha. Un motor en funcionamiento se puede acelerar accidentalmente haciendo que las cuchillas oscilen. Al transportar el cortasetos, asegúrese de que la cubierta de la cuchilla de corte esté bien colocada.

Asegúrese siempre de que el accesorio de corte esté instalado correctamente y ajustado firmemente antes de utilizarlo. Compruebe que no faltan piezas ni componentes, ni que estén dañados o instalados incorrectamente.

**NUNCA** utilice una barra de cuchilla que esté rota o torcida: reemplácela por una en buenas condiciones y asegúrese de que queda correctamente ajustada.

**NUNCA** maneje esta unidad sin un silenciador.

**NUNCA** intente ajustar una cuchilla con el motor en funcionamiento. Asegúrese de que no falta ninguna sujeción y de que ninguna está floja. Asimismo, compruebe que el interruptor de parada y los controles de aceleración funcionan correctamente.

Asegúrese de que siempre dispone de una buena ventilación al utilizar el cortasetos articulado. El humo o los gases de escape del motor pueden causar lesiones graves o la muerte. **NUNCA** haga funcionar el motor en espacios cerrados.

**NUNCA** fume o encienda fuego cerca del cortasetos. Mantenga el cortasetos protegido de temperaturas extremas. El combustible del motor es muy inflamable y un incendio podría causar graves conjuntos de la cuchilla o daños materiales.

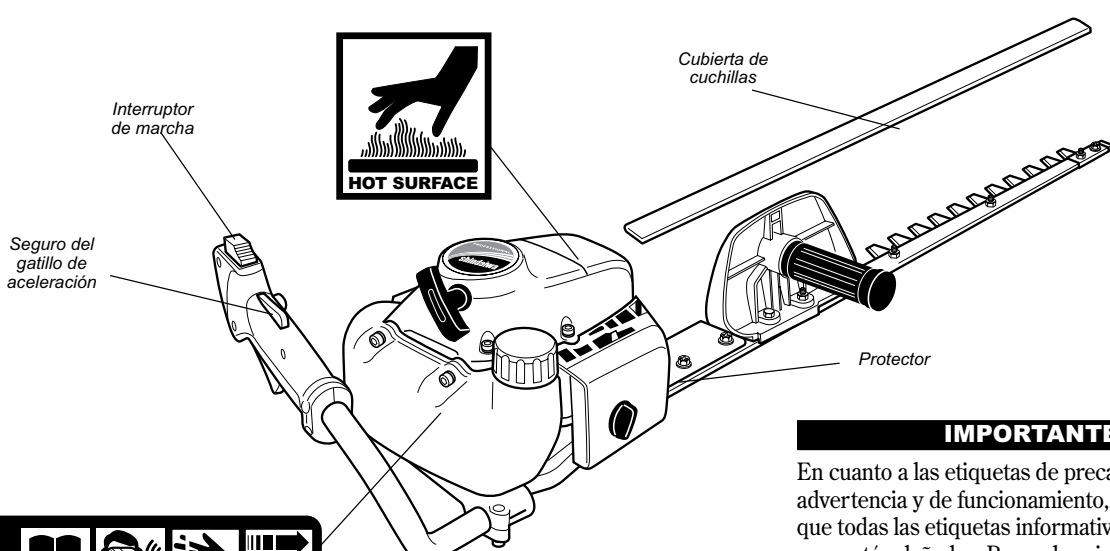
Si golpea algún objeto extraño o si la máquina se enreda con algo, detenga siempre la máquina de inmediato y compruebe si se ha producido algún daño. No trabaje con el equipo dañado o roto. Al cortar una rama sometida a tensión, esté atento al rebote de la rama para no resultar golpeado.


Si una cuchilla se atasca en el corte, detenga el motor de inmediato. Empuje la rama o arbusto para desatascar la cuchilla.


**SIEMPRE** sujete la máquina firmemente con ambas manos cuando corte o recorte, y mantenga el control en todo momento.


**SIEMPRE** mantenga los mangos limpios.


## Etiquetas de seguridad



**CAUTION**  **READ AND FOLLOW THE INSTRUCTIONS IN THE OPERATORS MANUAL.**

 **WEAR EYE AND HEARING PROTECTION AT ALL TIMES DURING OPERATION.**

 **THE BLADES ARE SHARP! HANDLE WITH CARE.**

 **KEEPS HANDS CLEAR OF CUTTER BLADES WHEN STARTING THE ENGINE.**

**IMPORTANT**

En cuanto a las etiquetas de precaución, peligro, advertencia y de funcionamiento, asegúrese de que todas las etiquetas informativas sean legibles y no estén dañadas. Reemplace inmediatamente cualquier etiqueta que esté dañada o que falte. Su distribuidor autorizado habitual de Shindaiwa le proporcionará etiquetas nuevas.

## Seguridad (continuación)

### Precauciones de operaciones

Español

Use siempre ropa ceñida al cuerpo. Use guantes de trabajo para incrementar el nivel de protección. No use ropa o joyas que pudieran enredarse en la máquina. Cerciórese de que el cabello no le pase de los hombros.

NUNCA permita que niños usen esta máquina. Evite usarla cerca de transeúntes.

SIEMPRE use protección para los ojos, los oídos y las manos cuando trabaja con esta máquina.

NUNCA opere esta máquina a velocidad máxima sin carga.

SIEMPRE detenga la marcha del motor antes de retirar ramas o residuos de las cuchillas. Nunca permita que las cuchillas hagan contacto con edificaciones u otros objetos sólidos.

NUNCA opere esta máquina si el protector para la mano está quebrado.

SIEMPRE detenga la marcha del motor e instale la vaina protectora en las cuchillas antes de llevarla a otra área de trabajo y mantenga su balance sobre el suelo mientras trabaje o lleva la recortadora a mano.

EVITE usar o guardar esta máquina en sitios húmedos. El depósito de agua en las cuchillas podría penetrar en la caja de engranaje y dañar su máquina.

NUNCA corte objetos metálicos o alambre.

SIEMPRE manténgase parado sobre tierra firme y no sobre extienda el cuerpo. Mantenga su equilibrio en todo momento que esté operando la máquina.

EJERCER EXTREMA CAUTELA cuando trabaje en la proximidad de cercas o alambros eléctricos.

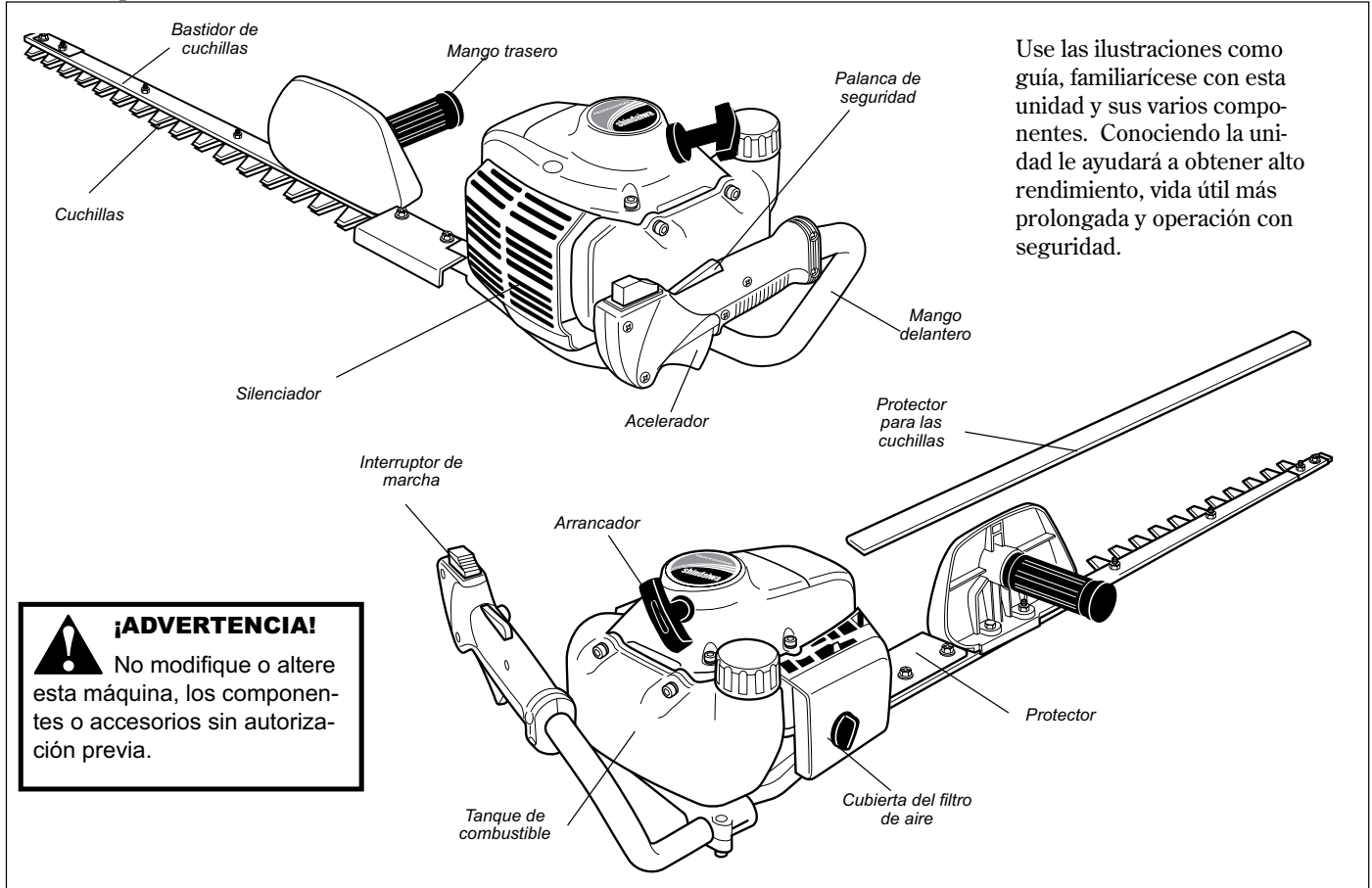
EVITE cortar ramas grandes o demasiado "leñosas". De lo contrario, podría acortar la vida útil de las cuchillas y/o dañar la caja de engranajes.

#### CAUTION

- Realice siempre el mantenimiento de la unidad de acuerdo con las instrucciones del manual y siga el programa de mantenimiento recomendado.
- Nunca modifique o desactive ninguno de los dispositivos de seguridad del cortasetos articulado.
- Utilice siempre piezas y accesorios de Shindaiwa al realizar reparaciones o tareas de mantenimiento en esta máquina.
- No realice modificaciones no autorizadas en este cortasetos articulado.
- Limpie siempre su área de trabajo de basura o residuos ocultos para lograr un buen apoyo de los pies.
- Mantenga las cuchillas afiladas y bien ajustadas.
- Mantenga el cortasetos articulado lo más limpio posible. Limpie los restos de hierba, barro, etc.



## Descripción del Producto



Español

## Especificaciones

Modelo	HT231-30	HT231-40
Modelo de motor	SHT231	
Tipo de motor	2-tiempos, cilindro horizontal, enfriado por aire	
Diámetro x carrera	32mm x 28mm	
Cilindrada	22.5cc	
Peso neto, unidad completa sin combustible	5.9 kg (13.0 lb)	6.4 kg (14.1 lb)
Dimensiones (longitud x ancho x altura)	990 x 210 x 210 mm	1330 x 210 x 210 mm
Potencia	1.1 hp @ 8000 rpm (min <sup>-1</sup> )	
Régimen de giro al ralentí (recomendado)	3,000 (±250) min-1 (rpm)	
Proporción de combustible/aceite	50:1 con aceite de mezclar para motores de 2-tiempos ISO-L-EGD o JASO FC	
Capacidad del tanque de combustible	0.6 l / 20.3 oz.	
Carburador	Walbro WYJ	
Sistema de encendido	Electrónico, controlado por transistores	
Bujía:	Champion CJ8Y	
Separación del electrodo	0.6 - 0.7 mm	
Momento de torsión	170 - 190 kg cm / 16,7 - 18.6 N·m	
Filtro de aire	Esponjosa	
Tipo de Silenciador	Catalizador de 2 etapas	
Método de arranque	Arrancador manual de resorte recular	
Método de parada	Interruptor deslizante de puesta a tierra	
Cuchillas Longitud	740 mm	1080 mm
Cuchillas Tipo	Doble diente, doble filo	
Enbrague	centrífugo, tipo seco de dos zapatas	
Engranajes	Cilíndricos de dientes rectos	
Lubricación	Grasa a base de litio	
Equipo estándar	Mango delantero/protector la mano, mango trasero/control de aceleración, amortiguadores, juego de herramientas, cubierta	
Periodo de conformidad de emisiones de la EPA*	Categoría A	

Las especificaciones están sujetas a cambios sin previo aviso.

\* El periodo de conformidad de emisiones de la EPA relativo a la etiqueta de conformidad de emisiones colocada en el motor indica el número de horas de funcionamiento en las que el motor ha demostrado cumplir los requisitos de emisiones federales. Categoría C = 50 horas (moderado), B = 125 horas (intermedio) y A = 300 horas (ampliado).

## Mezcla de Combustible

### PRECAUCIÓN!

- Nunca use ningún combustible que contenga más de 10% de alcohol por volúmen! Algunas gasolinas contienen alcohol como un oxigenante. Combustibles oxigenados pueden aumentar la temperatura del motor durante su funcionamiento. Bajo ciertas condiciones, combustible con alcohol puede reducir la calidad lubricante de algunos aceites de mezcla.
- Aceites genéricos y algunos aceites para motores fuera de borda no deben ser usados en su motor Shindaiwa!

### PRECAUCIÓN!

Este motor está diseñado solamente para funcionar con una mezcla de 50:1 de gasolina sin plomo y aceite de mezclar para motores de 2 tiempos. ISO-L-EGD o JASO FD. El uso de aceites de mezclar no autorizados puede conducir a excesos de depósitos de carbón.

- Use solamente gasolina fresca, limpia y sin plomo, con índice de octanaje de 87 o superior.
- Mezcle todo el combustible con aceite de mezclar para motores de 2 tiempos enfriados por aire que cumpla o exceda aceites clasificados ISO-L-EDG y/o JASO FD a proporción de 50:1 gasolina/aceite.

### PRECAUCIÓN!

Mezcle y reposte el combustible al aire libre y donde no haya chispas ni llamas.

## Ejemplos de cantidades de mezcla a proporción de 50:1

U.S.		Métricas	
Gasolina	Mezclar para motores de 2 tiempos	Gasolina	Mezclar para motores de 2 tiempos
EE.UU. Gallons	EE.UU. Fl.oz.	Liter	cc.
1	2.6	4	80
2	5.2	8	160
5	13	20	400
10	25.6	30	600
20	51.2	50	1000
50	128	100	2000

### IMPORTANTE!

Mezcle solamente el combustible necesario para uso inmediato! De ser necesario almacenar el combustible por más de 30 días, y si no se está usando aceite **ONE** con estabilizador de combustible, entonces el combustible debe ser tratado primero con un estabilizador como por ejemplo StaBil™.

El aceite **ONE** es un aceite registrado de JASO FD clasificado y también cumple o excede los requisitos de rendimiento de ISO-L-EGD. Shindaiwa One es recomendado para el uso en todos los motores Shindaiwa de baja emisión. Shindaiwa One también incluye el estabilizador de combustible.

## Llenando el Tanque de Combustible



### ADVERTENCIA!

Disminuya el riesgo de incendios!

- **NUNCA** fume o encienda fuegos cerca del motor o del combustible!
- **SIEMPRE** mantenga la gasolina en un contenedor aprobado.
- **SIEMPRE** deje pare y enfriar el motor antes de volver a llenar el tanque.
- **SIEMPRE** examine la unidad en busca de posibles fugas de combustible antes de cada uso. Durante cada recarga, asegúrese de que no haya fugas de combustible alrededor de la tapa de combustible y/o del tanque. Si detecta alguna fuga, detenga la unidad inmediatamente. Toda fuga de combustible debe haberse reparado antes de utilizar la unidad.
- **SIEMPRE** limpie todo derrame de combustible y aleje el motor por lo menos 10 pies (3 metros) del depósito de combustible antes de volver a prender el motor!
- **SIEMPRE** antes de volver a encender el motor, aléjelo al menos 3 metros del punto de repostaje, del lugar de almacenamiento y de cualquier material fácilmente inflamable.
- **NUNCA** coloque material inflamable cerca del silenciador del motor!
- **NUNCA** opere el motor sin antes comprobar que el silenciador y guardachispas se están instalados y funcionan correctamente.
- **EL COMBUSTIBLE ES SUMAMENTE INFLAMABLE.**

1. Posicione la máquina sobre una superficie plana y nivelada.
2. Retire cualquier suciedad o despojos alrededor de la tapa de combustible.

### PRECAUCIÓN!

Para repostar, retire lentamente el tapón de combustible sólo después de haber apagado el motor.

3. Retire la tapa de combustible y llene el tanque con combustible fresco y limpio.
4. Reinstale la tapa de combustible y apriete firmemente.
5. Limpie todo el combustible derramado antes de volver a arrancar el motor.

## Arranque del motor

### Antes de usarla

Antes de comenzar el ensamblaje de este producto, cerciórese de tener todos los componentes necesarios para ensamblar una máquina completa: Inspeccione detenidamente todos los componentes para detectar posibles daños

- Este manual
- Kit con caja de herramientas para el mantenimiento rutinario
- Cubierta de las cuchillas de corte

### ¡IMPORTANTE!

Los términos “izquierda”, “a mano izquierda” e “IZQUIERDA”, “derecha”, “a mano derecha” y “DERECHA”, “delantera” y “trasera”, indican direcciones desde el punto de vista del operador durante la operación.

## Arranque del motor

### ¡IMPORTANTE!

El encendido del motor está controlado por un interruptor de dos posiciones montado en el mango del acelerador indicado “I” (encendido o arranque) y “O” (apagado o pare).



### ¡ADVERTENCIA!

¡Mantenga las manos y el cuerpo alejados de las cuchillas en todo momento! Las cuchillas se moverán al arrancar el motor.

- Ponga la cortadora de setos sobre el suelo durante todas las operaciones de arranque.
- Cerciórese de estar en posición firme sobre el suelo y sujete la máquina firmemente.
- Mantenga a todos los niños, transeúntes y animales domésticos alejados de la cortadora de setos durante.

1. Deslice el botón del interruptor (hacia la mano) hacia la posición I (encendido).
2. Trabe el gatillo de aceleración en la posición de marcha acelerada.
  - a. Deprima y sostenga la palanca del acelerador.
  - b. Apriete y sostenga la palanca del acelerador (hacia el manubrio)
  - c. Deprima y sostenga el botón de la palanca del acelerador.
3. Presione la bombilla de cebado hasta que vea pasar combustible por el tubo de retorno transparente.

### ¡IMPORTANTE!

La bombilla de cebado solamente empuja combustible a través del carburador. Presionando repetidamente la bombilla de cebado no ahogará el motor con combustible.

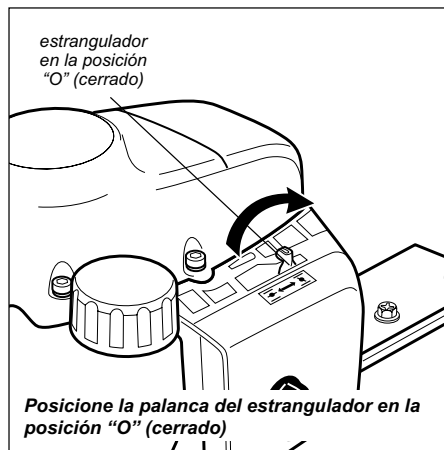
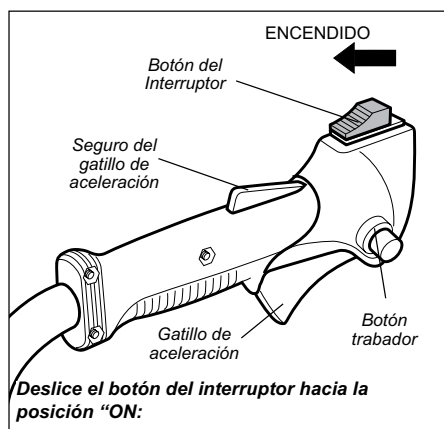
4. Posicione la palanca del estrangulador en la posición CLOSED (cerrado) si el motor está frío.
5. Ponga la máquina en el suelo. Sujete el motor por la cubierta con la mano izquierda y con la mano derecha, empuñe el mango del arrancador.



### ¡ADVERTENCIA!

Las cuchillas se mueven al acelerar el motor. Mantenga las manos y el cuerpo distanciados de las cuchillas.

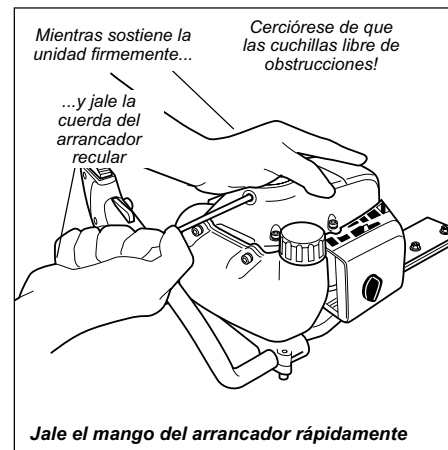
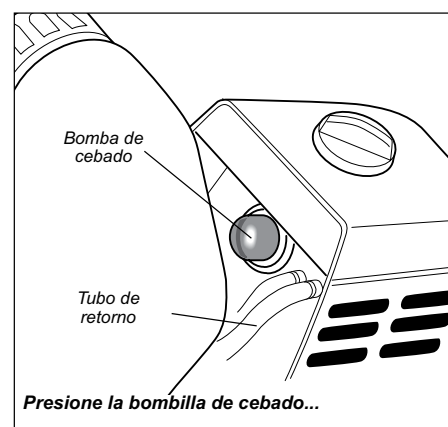
Nunca arranque el motor de la posición de funcionamiento.



6. Jale el mango del arrancador lentamente hacia afuera hasta que sienta el mecanismo de arranque engranar
7. Jale el mango del arrancador rápidamente hacia afuera para arrancar el motor.

### ¡PRECAUCIÓN!

No jale el arrancador recular hasta el final de la cuerda. De lo contrario, puede dañar el arrancador.



### ¡IMPORTANTE!

Si el motor falla en arrancar después de varios intentos con la palanca del estrangulador en posición cerrada, puede que el motor esté ahogado con combustible. Consulte la sección “Starting a flooded engine” de este manual.

## Arranque del motor (continuación)

### Cuando el motor enciende...

- Si el motor se para, repita los procedimientos aplicables para el arranque de un motor frío o un motor caliente.
- Si el motor se para, repita los procedimientos aplicables para el arranque de un motor frío o un motor caliente.
- Después que el motor arranca accione el acelerador varias veces para eliminar el exceso de combustible de la cámara de combustión.
- Operando el acelerador automáticamente desenganchará la marcha mínima.

### Arranque de un Motor Ahogado



#### ¡ADVERTENCIA!

¡Riesgo de quemadura por el motor caliente. Permita que el motor enfíe antes de retirar la cubierta del cilindro.

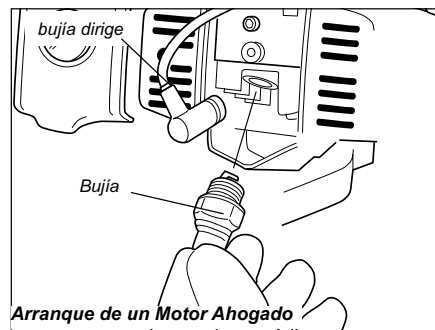
1. Desconecte la bujía dirige, y entonces utiliza la llave inglesa de bujía para aflojar y quitar la bujía.
2. Si la bujía se fouled o es empapada con el combustible, limpia o reemplaza el tapón como sea necesario. Para especificaciones de bujía, refiérase a la sección "Mantenimiento cada 10-15 horas".

3. Con la bujía quitada, acodar el motor para vaciar varias veces el combustible del exceso de la cámara de combustión.
4. Vuelva a colocar la bujía y apriétela firmemente con la llave de bujías. Si dispone de una llave dinamométrica, apriete la bujía al valor correcto en la sección "Especificaciones".

#### ¡PRECAUCIÓN!

La instalación incorrecta de la bujía puede dañar el motor.!

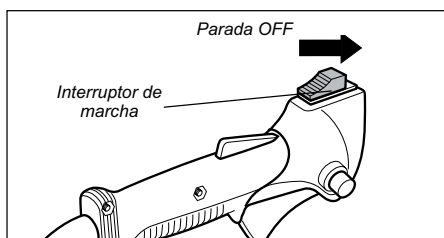
5. Repita los procedimientos que empiezan para un motor tibio.



6. Si el motor falla todavía empezar o despedir, referirse al gráfico de la localización de fallas a fines de este manual.

## Parada del Motor

1. Permita que el opere en marcha mínima por dos o tres minutos para que la temperatura del motor se estabilice.
2. Mueva el botón del interruptor a la posición O (apagado).



## Ajuste de la Marcha Mínima

La velocidad del motor debe de volver a marcha mínima en todo momento que el gatillo de aceleración se libera. La marcha mínima es regulable y se ajusta, de acuerdo a las especificaciones del motor, para que el motor permita que el embrague centrífugo se desacople de los engranajes.

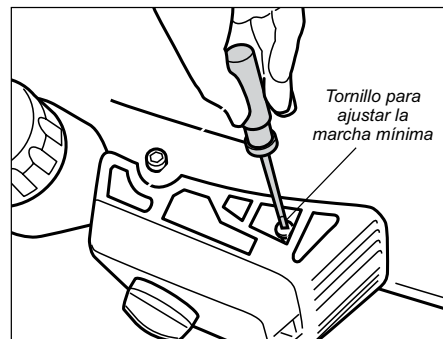


#### ¡ADVERTENCIA!

Las cuchillas NUNCA deben moverse cuando el motor esta operando en marcha mínima. Si la marcha mínima no se puede ajustar de acuerdo a las instrucciones proveidas, consulte con su distribuidor Swisher o centro de reparación autorizado.

### Ajuste de la Marcha Mínima

1. Arranque el motor y permita que opere por dos o tres minutos para que alcance la temperatura normal de operación.
2. Si las cuchillas se mueven con el motor operando en marcha mínima, gire el tornillo de ajuste de marcha mínima en sentido contrario a la manecillas del reloj hasta que las cuchillas de detengan.
3. Si tiene disponible un medidor de revoluciones para motores de dos tiempos (tacómetro), ajuste la velocidad de marcha mínima. Consulte la sección "Especificaciones" para el régimen de giro al ralenti.



#### NOTA

Los tornillos de ajustar la mezcla del carburador tienen calibración de fábrica y no se pueden ajustar

## Operación

- Al instante que el operario oprime el gatillo de aceleración, la marcha del motor se acelera. La aceleración de la marcha del motor causa que el embrague acople con la caja de engranajes, la cual acciona el movimiento de las cuchillas.
- La desaceleración de la marcha del motor es inmediata al instante que el operario libera el gatillo de aceleración. La marcha del motor vuelve a caer en marcha mínima y causa que el embrague se desacople de la caja de engranajes, la cual detiene el movimiento de las cuchillas.
- Los cortes se deben de llevar a cabo con movimientos de lado a lado (cortes laterales) o de arriba abajo (cortes verticales) variando la marcha del motor de acuerdo a la clase de seto que corta.
- Siempre se debe de evitar cortar setos que tienen más de 1,3 cm de diámetro

# Mantenimiento

## ¡IMPORTANTE!

EL MANTENIMIENTO, REEMPLAZO O REPARACION DE LOS SISTEMAS Y DISPOSITIVOS DE CONTROL DE EMISION PUEDEN SER EFECTUADOS POR CUALQUIER ESTABLECIMIENTO O INDIVIDUO; SIN EMBARGO, LAS REPARACIONES DE GARANTIA DEBEN SER EFECTUADAS POR SU CENTRO DE SERVICIO O DISTRIBUIDOR AUTORIZADO POR SHINDAIWA INC. EL USO DE PARTES QUE NO SON EQUIVALENTES EN RENDIMIENTO Y DURABILIDAD A LAS PARTES AUTORIZADAS PUEDEN AFECTAR LA EFECTIVIDAD DE SU SISTEMA DE CONTROL DE EMISION Y PUEDE INFLUENCIAR EL RESULTADO DE SU RECLAMO DE GARANTIA.

## NOTA!

El uso de piezas de recambio que no sean estándar pueden invalidar su garantía Shindaiwa.

## Mantenimiento general

Antes de cada día de trabajo, efectúe lo siguiente:



### ¡ADVERTENCIA!

Las cuchillas de corte están muy afiladas. Siempre que trabaje alrededor del montaje de cuchilla lleve guantes.



### ¡ADVERTENCIA!

Para reducir el riesgo de incendios, mantenga las superficies del motor y el silenciador libres de residuos, hojas o exceso de grasa

- Limpie todos los residuos de corte y sucio de la cortadora de setos.
- Lubrique las cuchillas con aceite de maquinaria de grado fino antes de usar y cada vez que llena el tanque de combustible.
- Revisar las cuchillas y asegurarse que todas las tuercas están apretadas .
- Limpie los residuos de corte acumulados alrededor del tanque de combustible y el silenciador.
- Inspeccione las aletas de enfriamiento del motor y límpielas si es necesario.
- Limpie la superficie interior de la cubierta del motor y el área alrededor de la bujía.
- Inspeccione el elemento del filtro de aire y límpielo según sea necesario.
- Inspeccione en búsqueda de componentes flojos, dañados o faltantes, y lleve a cabo reparaciones necesarias.



### ¡ADVERTENCIA!

Antes de efectuar mantenimiento, reparación o limpieza de la máquina, cerciórese de que el motor y el accesorio de corte estén completamente detenidos. Desconecte el cable de bujía antes de efectuar servicio de mantenimiento.

## Silenciador

Esta máquina nunca debe ser operada con un guardachispas o silenciador defectuoso o faltante. Cerciórese de que el silenciador esté bien asegurado y en buena condición. Un silenciador usado o dañado es un riesgo de incendio y puede causar la pérdida de audición.

## Bujía

Mantenga la bujía y las conexiones de cable apretadas y limpias.



### ¡ADVERTENCIA!

Los repuestos no estándar pueden que no operen propiamente con su máquina y pueden causar daño y conducir a una lesión personal.

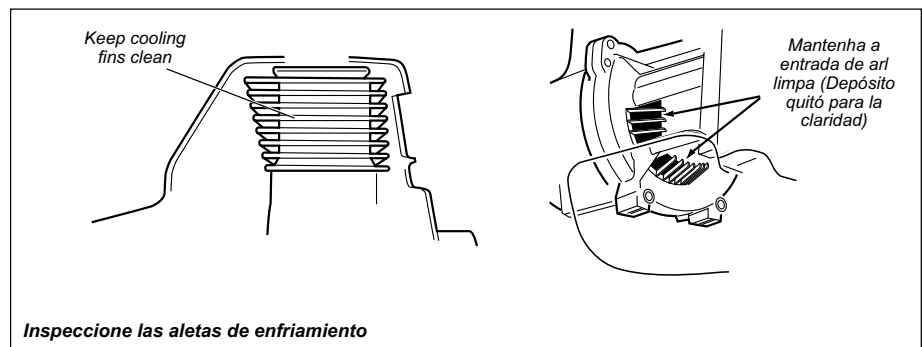
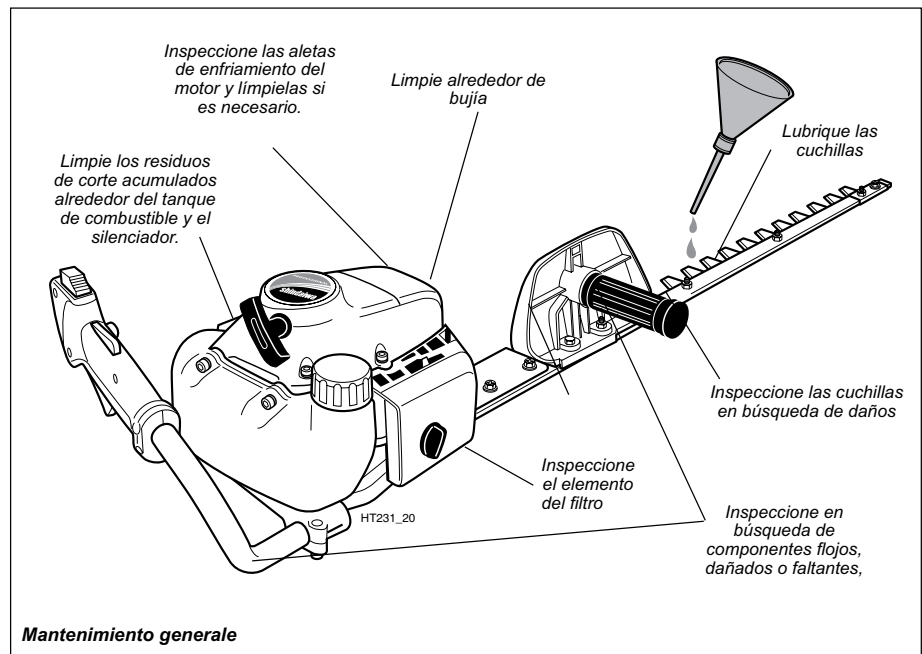


### ¡ADVERTENCIA!

El funcionamiento del motor sin silenciador, o con un silenciador que está dañado o incorrectamente instalados, pueden aumentar el ruido del motor lo suficiente como para causar la pérdida de la audición.

## Sujetadores

Cerciórese de que las tuercas, pernos y tornillos (a excepción de los tornillos de ajuste del carburador) estén apretados.



## Mantenimiento (continuación)

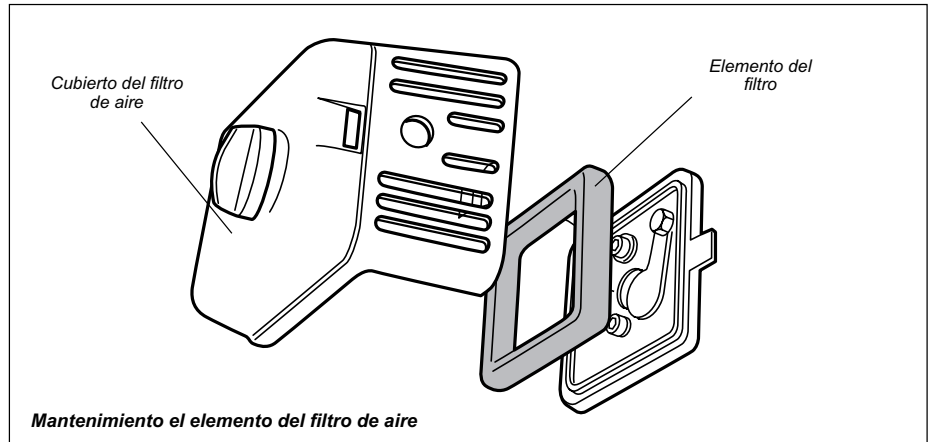
### Mantenimiento cada 10 horas

(con más frecuencia en condiciones de polvo o suciedad)

- Retire el elemento del filtro de aire y lávelo con agua y detergente. Enjuáguelo bien, exprímalo y déjelo secar antes de reinstalar.

#### ¡PRECAUCIÓN!

No ponga la unidad en funcionamiento si el filtro de aire está dañado o si el elemento está húmedo.



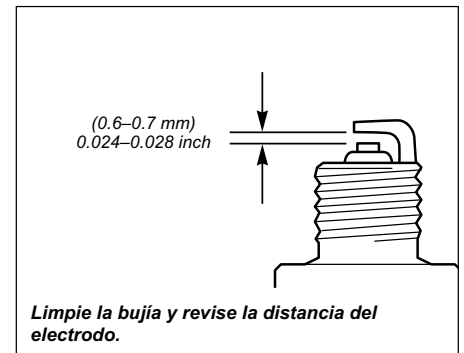
### Mantenimiento cada 10 - 15 horas

Retire y limpie la bujía.

Ajuste la distancia del electrodo a 0.6 -0.7 mm (0.024-0.28 pulgadas). Si la bujía necesita ser reemplazada, use solamente una bujía NGK CMR5H o una bujía equivalente con resistencia al calor correcta.

#### ¡PRECAUCIÓN!

Antes de retirar la bujía, limpie alrededor de la misma para evitar que entre polvo o suciedad a las partes internas del motor.



### Cada 20 y 100 horas

Lubricación de la caja de engranaje

#### ¡PRECAUCIÓN!

- Cerciórese que al limpiar la grasa de la tapa la arandela espaciadora del rodamiento no se pierda. ¡No quite las bielas! Los rodillos en los rodamientos de las bielas se podrían dañar o perder.
- ¡El exceso de grasa puede causar que los engranajes giren más despacio y también causar fugas de grasa!

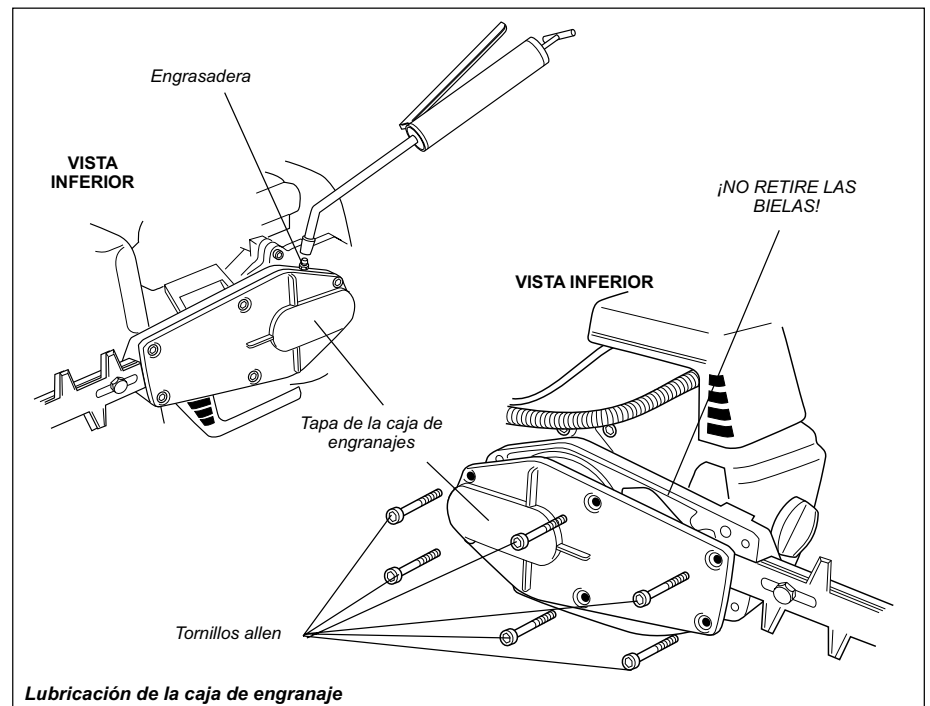
#### Cada 20 horas

Lubrique la caja de engranajes con una pistola de engrase. Inyecte grasa de alta calidad a base de litio por el accesorio de engrase activando la palanca de la pistola de engrase entre dos y tres veces.

#### Cada 100 horas

(o antes de almacenaje por largo tiempo)

Limpie la superficie exterior de la caja de engranajes. Retire la tapa de la caja de engranaje y con solvente y una brocha de celdas finas, limpie toda la grasa en la caja de engranaje. Después de limpiar, lubrique a mano, con aproximadamente 40 a 50 gramos de grasa a base



de litio (50-70% de la capacidad). NO SE EXCEDA AL LLENAR. Reinstale la tapa en la caja de engranajes y apriete los tornillos firmemente

## Mantenimiento (continuación)

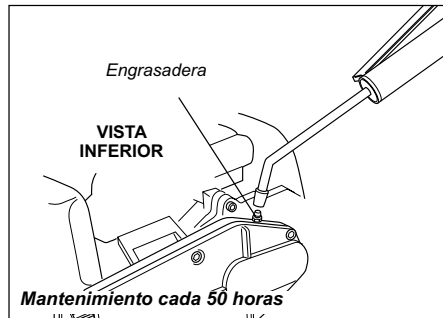
### Mantenimiento cada 50 horas

(Más frecuente en condiciones polvorientas o adversas)

- Retire y limpie la tapa del cilindro y limpie la maleza y la suciedad en la saleta del cilindro.

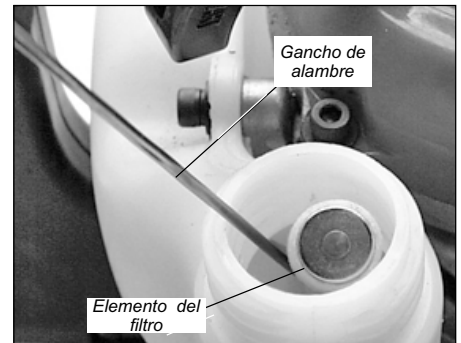
#### Retire y reemplace el elemento del filtro.

- Use un gancho de alambre para extraer el filtro de combustible del tanque de combustible. Retire y reemplace el elemento del filtro. Antes de reinstalar el filtro, inspeccione la condición de todo los componentes del sistema de combustible (manguera de combustible, manguera del ventilador, ventilador,



#### ¡PRECAUCIÓN!

Asegure de no perforar la tubería de combustible con la punta del gancho de alambre, pues esta línea es delgada y se puede dañar fácilmente.



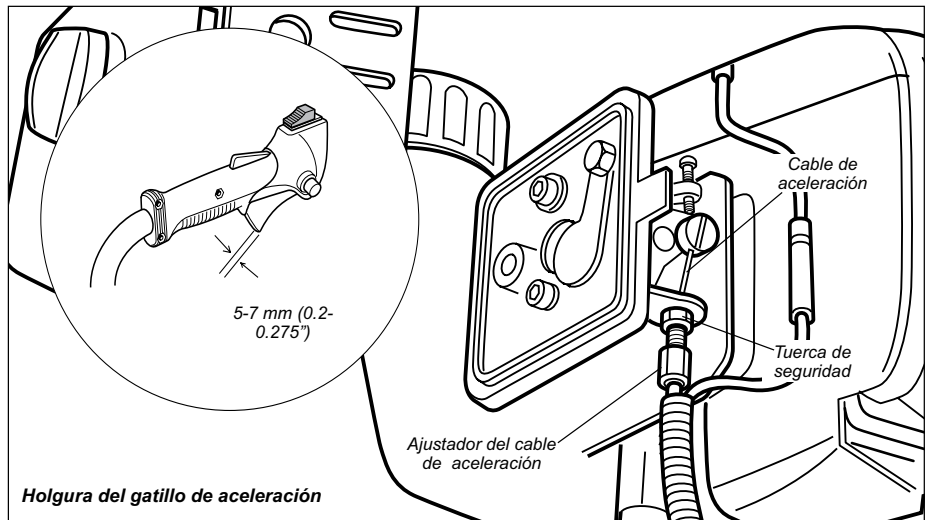
tapa y tanque). Si descubre daños, quebraduras o deterioración, retire la unidad de operación hasta que pueda ser inspeccionada o reparada por un técnico de servicio entrenado por Shindaiwa.

Español

### Holgura del Gatillo de Aceleración

Mida la holgura del gatillo de aceleración. El gatillo debe tener una holgura de aproximadamente 5 a 7 mm (0,2 a 0,275 pulg.). Si es necesario, ajuste la holgura de acuerdo a las siguientes instrucciones.

1. Afloje la tuerca de fijación del adaptador.
2. Enrosque o desenrosque el adaptador para obtener 5 a 7 mm (0,2 a 0,275 pulg.) de holgura en el gatillo de aceleración.
3. Reinstale la cubierta del filtro de aire y apriete el tornillo de sujeción a mano.



### Cuchillas



#### ¡ADVERTENCIA!

Las cuchillas de corte están muy afiladas. Siempre que trabaje alrededor del montaje de cuchilla lleve guantes.

El rendimiento de las cuchillas de su unidad depende en gran medida del espacio libre entre las cuchillas de corte. Si las cuchillas están ajustadas correctamente oscilarán libremente, lo cual evitará que el material cortado se atasque entre ellas.

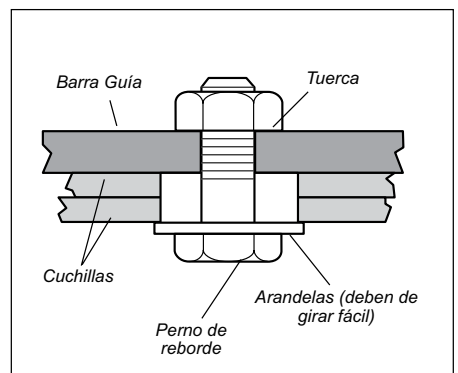
1. Afloje todas las tuercas de seguridad con una llave de 10mm.
2. Apriete los pernos de reborde y luego aflójelos entre 1/4 y 1/2 vueltas.

#### ¡PRECAUCIÓN!

Si opera la cortadora con cuchillas desgastadas o incorrectamente ajustadas, reducirá el rendimiento y podría dañar su máquina.

3. Comenzando por el perno más cerca al motor, bloquee cada perno y apriete las tuercas de seguridad con la llave de 10mm sin dejar que los pernos giren.

Cuando los pernos de reborde están ajustados correctamente, las arandelas deben girar libremente y debe haber entre 0,25 a 0,50 mm. de holgura entre las arandelas y las cuchillas.



## Mantenimiento (continuación)

### Mantenimiento cada 139 horas



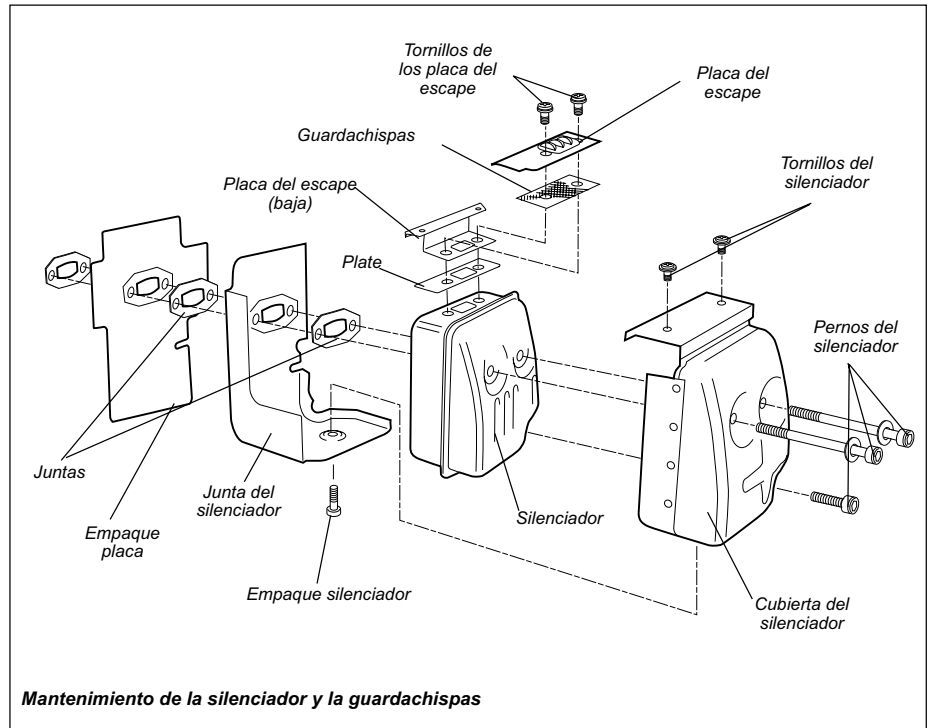
#### ¡ADVERTENCIA!

Nunca opere la máquina con un silenciador o guardachispas dañado o faltante! De lo contrario, puede ser un riesgo de incendio y podría también causar daños a sus oídos.

Español

Si el motor se pone peroso o tiene baja potencia, revise y limpie la maya del guardachispas.

1. Afloje el tornillo de la bujía cubierta y retire la cubierta.
2. Retire el cable de la bujía.
3. Afloje los cuatro tornillos de 5 mm en la parte superior de el cubierto del carter y retire la cubierta.
4. Afloje el tornillo de 5 mm en la parte superior de la cubierta del cilindro y dos tornillos de 4 mm situado en la parte inferior del cubierto del cilindro y retirar el cubierto.
5. Afloje los tres tornillos de 5 mm del cubierto del silenciador y retire la cubierto del silenciador.
6. Retire el perno de la junta del silenciador.
7. Afloje dos tornillos de 4 mm del cubierto del silenciador.
8. Quite dos tornillos de 4 mm de la parte superior de la placa de escape y retire.



Mantenimiento de la silenciador y la guardachispas

9. Extraiga la pantalla y límpiela con un cepillo de cerdas duras.
10. Inspeccione el puerto de escape del cilindro para evitar la acumulación de carbón.

11. Vuelva a montar el guardachispas, el silenciador y la cubierta del motor en el orden contrario al del desmontaje.

#### ¡IMPORTANTE!

Si observa exceso de carbono acumulado, consulte con su agente de servicio.

## Almacenamiento de Largo Plazo

Cada vez que la máquina no va a ser usada por 30 días o más, siga los siguientes procedimientos para preparar su almacenamiento:

- Limpie las partes externas y aplique una capa ligera de aceite a todas las superficies metálicas.

#### ¡IMPORTANTE!

Todo combustible almacenado debe estar estabilizado con un estabilizador de combustible tal como STA-BIL™.

#### ¡PRECAUCIÓN!

Gasolina almacenada en el carburador por períodos largos puede causar un arranque duro y puede conducir a un aumento en costo de servicio y mantenimiento.

- Drene todo combustible en el tanque.
- Retire el resto del combustible en las tuberías de combustible y carburador.

1. Empuje la bombilla de cebado hasta que el combustible deje de pasar.
  2. Arranque y mantenga prendido el motor hasta que pare de funcionar.
  3. Repita los pasos 1 y 2 hasta que el motor ya no arranque.
- Retire la bujía y vierta aproximadamente 1/4 de onza de aceite de mezcla para motores de 2 tiempos en el cilindro a través del agujero de la bujía. Lentamente jale el arrancador 2 ó 3 veces para que el aceite se aplique uniformemente en el interior del motor. Reinstale la bujía.

- Antes de almacenar la máquina, repare o cambie cualquier pieza dañada o gastada.

- Retire el elemento del filtro de aire y límpielo minuciosamente con agua y jabón. Deje que seque y vuelva a ensamblar el elemento.
- Almacene la máquina en un sitio limpio y libre de polvo.



Qué revisar	Possible causa	Remedio
<p><b>¿Arranca el motor?</b></p> <p>SÍ ↓</p>	<p>NO → Arrancador autorretráctil defectuoso. Líquido en el cárter. Daños internos.</p>	<p>Consulte a un agente de servicio de Shindaiwa.</p>
<p><b>¿Hay buena compresión?</b></p> <p>SÍ ↓</p>	<p>NO → Bujía suelta. Desgaste excesivo en el cilindro, el pistón o los anillos.</p>	<p>Apriete y pruebe otra vez. Consulte con un agente de servicio autorizado. Consulte a un agente de servicio de Shindaiwa.</p>
<p><b>¿Contiene el tanque combustible fresco y con el octanaje correcto?</b></p> <p>SÍ ↓</p>	<p>NO → Combustible incorrecto, viejo o contaminado; mezcla incorrecta.</p>	<p>Rellene con gasolina sin plomo, reciente y limpia con un octanaje de 87 o superior, mezclada 50:1 con aceite para motores de dos tiempos esto encuentra o excede ISO-L-EGD y/o JASO FD aceites clasificados</p>
<p><b>¿Puede verse combustible moviéndose en la línea de retorno al cebar?</b></p> <p>SÍ ↓</p>	<p>NO → Revise el filtro de combustible y el ventilador en busca de obstrucciones.</p>	<p>Reemplace el filtro de combustible o la válvula de presión según sea necesario. Vuelva a arrancar.</p>
<p><b>¿Hay chispas en el terminal del cable de la bujía?</b></p> <p>SÍ ↓</p>	<p>NO → El interruptor de encendido está en posición de apagado "O". Conexión a tierra defectuosa. Unidad de encendido defectuosa.</p>	<p>Lleve el interruptor a la posición de encendido "I" y reinicie. Consulte a un agente de servicio de Shindaiwa.</p>
<p><b>Compruebe la bujía.</b></p>	<p>Si la bujía está húmeda, puede haber exceso de combustible en el cilindro. La bujía está obstruida o tiene una separación de electrodos incorrecta. La bujía puede tener daños internos o es del tamaño equivocado.</p>	<p>Retire la bujía y arranque el motor, vuelva a colocar la bujía y arranque de nuevo. Limpie y vuelva a calibrar la bujía. Consulte la sección "Especificaciones" para la correcta separación del electrodo de la bujía. Vuelva a arrancar. Reemplace la bujía. Consulte la sección "Especificaciones" para la bujía correcta. Vuelva a arrancar.</p>

Qué revisar	Posible causa	Remedio
<p><b>¿Se sobrecalienta el motor?</b></p>	<p>Unidad sobrecargada por el usuario.</p> <p>La mezcla del carburador es muy pobre.</p> <p>Proporción de combustible inapropiada.</p> <p>Ventilador, tapa del ventilador o aletas del cilindro sucios o dañados.</p> <p>Depósitos de carbonilla en el pistón o el silenciador.</p>	<p>Corte más despacio.</p> <p>Consulte con un agente de servicio autorizado.</p> <p>Rellene con gasolina sin plomo, reciente y limpia con un octanaje de 87 o superior, mezcla 50:1 con aceite para motores de dos tiempos esto encuentra o excede ISO-L-EGD y/o JASO FD aceites clasificados</p> <p>Limpiar, reparar o sustituir en caso necesario.</p> <p>Consulte con un agente de servicio autorizado.</p>
<p><b>El motor funciona bruscamente a cualquier velocidad. También puede que salga humo negro o combustible no quemado por el escape.</b></p>	<p>Filtro de aire obstruido.</p> <p>Bujía suelta o dañada.</p> <p>Fuga de aire o conducto de combustible obstruido.</p> <p>Agua en el combustible.</p> <p>Pistón gripado.</p> <p>Carburador y/o diafragma defectuoso.</p>	<p>Limpie o reemplace el filtro de aire.</p> <p>Apriete o cambie la bujía. Consulte la sección "Especificaciones" para la bujía correcta. Vuelva a arrancar.</p> <p>Repare o cambie el filtro o el conducto de combustible.</p> <p>Vuelva a llenar de mezcla reciente de combustible y aceite.</p> <p>Consulte con un agente de servicio autorizado</p>
<p><b>El motor golpea.</b></p>	<p>Sobrecalentamiento.</p> <p>Combustible inadecuado.</p> <p>Depósitos de carbonilla en la cámara de combustión.</p>	<p>Consulte con un agente de servicio autorizado</p> <p>Revise el índice de octanaje del combustible; revise si el combustible contiene alcohol. Reposte cuando sea necesario.</p> <p>Consulte con un agente de servicio autorizado.</p>

**OTROS PROBLEMAS**

Qué revisar	Posible causa	Remedio
Deficiente aceleración.	Filtro de aire obstruido. Filtro de combustible obstruido. Mezcla de combustible/aire muy pobre. Ralentí ajustado muy bajo.	Limpie o reemplace el filtro de aire. Cambie el filtro de combustible. Consulte con un agente de servicio autorizado. Consulte la sección "Especificaciones" para el régimen de giro al ralentí .
El motor se detiene abruptamente.	Interruptor en posición de apagado. Tanque de combustible vacío. Filtro de combustible obstruido. Agua en el combustible. Bujía defectuosa o terminal flojo. Fallo en el sistema de encendido. Pistón gripado	Restablezca el interruptor y vuelva a arrancar. Reposte combustible. Consulte la sección "Llenando el Tanque de Combustible". Cambie el filtro de combustible. Drene; cambie con combustible limpio. Consulte la sección "Llenando el Tanque de Combustible". Limpie o reemplace la bujía. Consulte la sección "Especificaciones" para la bujía correcta. Apriete el terminal. . Reemplace el sistema de encendido. Consulte con un agente de servicio autorizado.
Difícil apagado del motor.	Cable de conexión a tierra (detenido) desconectado o llave defectuosa. Sobrecalentamiento debido a bujía incorrecta. Motor sobrecalentado.	Pruebe y reemplace según sea necesario. Reemplace la bujía. Consulte la sección "Especificaciones" para la bujía correcta . Deje el motor al ralentí hasta que se enfríe.
El accesorio de corte se mueve al ralentí del motor.	Ralentí demasiado alto. Resorte del embrague roto o resalte desgastado.	Consulte la sección "Especificaciones" para el régimen de giro al ralentí . Reemplace muelle/zapatillas según sea necesario; compruebe el ralentí.
Excesiva vibración.	Soporte del accesorio suelto. Accesorio torcido o dañado. Caja de engranajes suelta. Eje central doblado, cojinetes desgastados o dañados.	Inspeccione y vuelva a apretar los soportes con firmeza. Examine y cambie el accesorio según sea necesario. Apriete la caja de engranajes con firmeza. Examine y cambie según sea necesario.
El motor no volverá para funcionar en ralentí.	El ralentí del motor es demasiado alto El motor tiene una fuga de aire	Consulte la sección "Especificaciones" para el régimen de giro al ralentí . Consulte con un agente de servicio autorizado.
El accesorio no se mueve.	Eje no instalado en el bloque motor o la caja de engranajes. Eje roto. Caja de engranajes dañada.	Examine y vuelva a instalar según sea necesario. Consulte con un agente de servicio autorizado.

Español

# Declaración de Garantía del Sistema de Emisión

## Sus Derechos y Obligaciones de Garantía

La Junta de Recursos de Aire de California, La Agencia de Protección del Ambiente Estadounidense y la Corporación Shindaiwa se complacen en explicar la garantía del sistema de control del escape y evaporación de emisiones de su nuevo motor pequeño (no para el uso en automóviles).

En California, los motores pequeños (no para el uso en automóviles) están diseñados, contruidos y equipados para cumplir con las normas exigentes de anti-contaminantes del Estado de California. En otros estados, los motores nuevos (no para el uso en automóviles) de 1997 para adelante deben cumplir las normas federales exigentes de la EPA de anti-contaminantes. La Corporación Shindaiwa debe garantizar el sistema de control de emisión de su motor pequeño (no para el uso en automóviles) durante los períodos mencionados abajo, asumiendo que no haya habido abuso, negligencia o mantenimiento impropio en su motor pequeño (no para el uso en automóviles).

Su sistema de control de escape y evaporación de emisiones incluye partes, tal como el carburador, tanque de combustible, el sistema de encendido, y, si está equipado, el convertidor catalítico. Estos componentes están mencionados específicamente abajo.

Cuando exista una condición bajo garantía, la Corporación Shindaiwa reparará su pequeño motor (no para el uso en automóviles) sin costo alguno para usted incluyendo el diagnóstico, repuestos y mano de obra.

## Cobertura de la Garantía del Fabricante

Cuando sea vendido en los Estados Unidos, el sistema de control de emisión de este motor está garantizado por un periodo de dos (2) años desde la fecha en que el producto es entregado por primera vez al comprador minorista original.

Durante el periodo de la garantía, la Corporación Shindaiwa reparará o cambiará, a su discreción, cualquier componente defectuoso relacionado con el sistema de emisión del motor. Durante el periodo original de la garantía, estos derechos de garantía son automáticamente transferibles a propietarios subsiguientes de este producto.

## Que Está Cubierto Por Esta Garantía

1. Los componentes internos del carburador.
  - La válvula de aceleración, la aguja, pistón, diafragma medidor.
2. Tanque de combustible
3. Los componentes del sistema de encendido.
  - Rosca del arrancador.
  - Rotor del volante.
4. Convertidor catalítico (si está originalmente equipado).

El sistema de control de emisión de su motor Shindaiwa puede también incluir ciertas mangueras y conexiones particulares.

## Responsabilidades de Garantía del Propietario

Como propietario del motor pequeño (no para el uso en automóviles), es usted responsable por el rendimiento del mantenimiento requerido y mencionado en este manual del propietario. La Corporación Shindaiwa recomienda que guarde todo los recibos que demuestren el mantenimiento de su motor pequeño (no para el uso en automóviles), pero la Corporación Shindaiwa no puede negar la garantía solamente por la falta de recibos o por no llevar a cabo los mantenimientos programados.

Como propietario del motor pequeño (no para el uso en automóviles), debe saber que la Corporación Shindaiwa puede negarle la cobertura de garantía si su motor o sus partes han fallado debido a abuso, negligencia, mantenimiento impropio, o modificaciones no autorizadas.

Usted es responsable de presentar su pequeño motor (no para el uso en automóviles) a un centro de servicio Shindaiwa autorizado tan pronto como se presente un problema. Las reparaciones bajo garantía deben ser completadas en un tiempo razonable que no exceda 30 días.

Si tiene alguna pregunta con respecto a sus derechos y responsabilidades de garantía, usted debe contactar a un representante del servicio al cliente de Shindaiwa al (503) 692-3070 o a su centro local de servicio Shindaiwa.

## Daños Consiguientes

En el evento de que alguna otra parte de los componentes de este producto estén dañados debido a la falla de alguna parte bajo la garantía, la Corporación Shindaiwa, reparará o cambiará tales partes sin costo alguno para usted.

## Que No Está Cubierto

- Fallas causadas por abuso, negligencia, o mantenimiento impropio.
- Fallas causadas por el uso de piezas o accesorios modificados o no autorizados.

## Esta garantía es administrada por:

Shindaiwa Inc.  
11975 SW Herman Rd  
Tualatin, OR 97062  
Teléfono: 503 692 3070





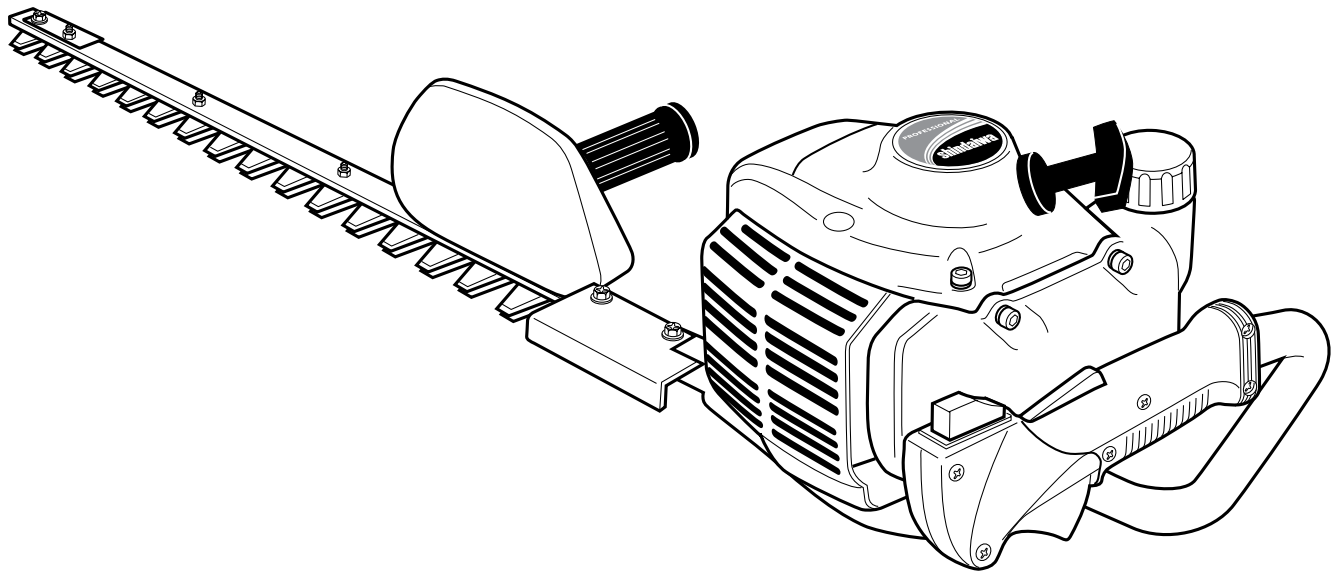






MANUEL D'UTILISATION SHINDAIWA

# TAILLE-HAIE À LAME HT231



**AVERTISSEMENT !**

Limitier tout risque de blessures, sur soi-même ou sur les autres ! Lire le présent manuel et se familiariser avec son contenu. Toujours porter un dispositif de protection pour les yeux et les oreilles pendant l'utilisation de l'appareil.

**shindaiwa**<sup>®</sup>

Numéro de référence 89309 Rév. 6/09

## Introduction

La série d'outils à main Shindaiwa 231 a été conçue et fabriquée dans le but d'offrir une performance et une fiabilité supérieures sans compromettre la qualité, le confort ou la durabilité. Les moteurs Shindaiwa à haut rendement représentent les dernières évolutions technologiques en matière de moteur à deux temps. Ils offrent un rendement exceptionnel pour une cylindrée remarquablement basse et une conception des plus légères. En tant que propriétaire ou utilisateur, vous comprendrez vite pourquoi Shindaiwa incarne tout simplement une classe en soi !

Shindaiwa se réserve le droit d'apporter des modifications au produit sans préavis et se dégage de toute obligation d'apporter des modifications aux appareils déjà fabriqués.

### IMPORTANT !

Les renseignements contenus dans le présent manuel décrivent les appareils disponibles au moment de la publication.



### AVERTISSEMENT!

Les gaz d'échappement du moteur de cet appareil contiennent des substances chimiques reconnues par l'État de Californie pour causer le cancer, des anomalies congénitales ou être nocives pour l'appareil reproducteur.

## Table des Matières

	PAGE		PAGE		PAGE
Sécurité .....	FR_3	Remplissage du réservoir à carburant .....	FR_6	Utilisation .....	FR_8
Nomenclature .....	FR_5	Démarrage du moteur .....	FR_7	Entretien .....	FR_9
Caractéristiques techniques .....	FR_5	Arrêt du moteur .....	FR_8	Remisage à long terme .....	FR_12
Mélange de carburant .....	FR_6	Réglage du ralenti du moteur .....	FR_8	Déclaration de garantie .....	FR_16

### IMPORTANT !

Les procédures d'utilisation décrites dans ce manuel visent à vous aider à tirer le maximum de votre appareil et à vous protéger (vous-mêmes et les autres) contre les blessures. Ces procédures constituent uniquement des consignes de sécurité couvrant la plupart des conditions d'utilisation, et ne remplacent en aucun cas les autres mesures de sécurité et lois en vigueur dans votre région. Pour toute question sur votre équipement motorisé à main Shindaiwa ou pour toute clarification sur les renseignements contenus dans le présent manuel, votre vendeur Shindaiwa se fera un plaisir de vous aider. Pour toute information complémentaire, vous pouvez également contacter Shindaiwa, Inc. à l'adresse imprimée au verso du manuel.

## Mises en garde

Vous trouverez des "mises en garde" tout au long du manuel.



### DANGER !

Un énoncé précédé de la mention « DANGER » contient des informations à prendre en compte pour éviter des blessures graves, voire mortelles.



### AVERTISSEMENT !

Un énoncé précédé du symbole triangulaire de mise en garde et du mot « AVERTISSEMENT » contient des informations à prendre en compte pour éviter des blessures graves.

### IMPORTANT !

Un énoncé précédé de la mention « IMPORTANT » contient des informations d'une importance particulière.

### MISE EN GARDE !

Un énoncé précédé du mot « MISE EN GARDE » contient des informations dont il faut tenir compte pour éviter d'endommager l'appareil.

### REMARQUE :

Un énoncé précédé du mot « REMARQUE » contient des informations utiles pouvant faciliter votre travail.

## Étiquettes au fonctionnement et à la sécurité



Lire et suivre les consignes exposées dans le présent manuel et s'assurer que les utilisateurs de l'appareil font de même à défaut de quoi pourraient s'ensuivre des blessures graves.



Porter des dispositifs de protection pour les yeux et pour les oreilles en tout temps pendant l'utilisation de l'appareil.



Garder les mains hors de portée des couteaux lors du démarrage.



Les couteaux sont coupants! Manoeuvrer prudemment.



ATTENTION ! Surfaces chaudes. Porter impérativement des gants pour manipuler l'appareil.

# Sécurité



## Sécurité au travail

Les taille-bordure peut infliger de graves blessures physiques à l'opérateur ou aux observateurs s'il est utilisé de manière inappropriée, abusive ou imprudente. Pour réduire le risque de blessures, toujours s'assurer de maîtriser l'appareil et observer toutes les consignes de sécurité pendant son fonctionnement. Ne jamais laisser le taille-haie entre les mains d'une personne qui n'a pas lu les consignes d'utilisation.

## Demeurer vigilant

Vous devez être physiquement et mentalement alerte pour utiliser cet appareil en toute sécurité.

**AVERTISSEMENT !** Ne jamais utiliser de l'équipement motorisé si vous êtes fatigué, sous l'influence d'alcool, de drogues ou de toute autre substance qui pourrait nuire à votre concentration ou à votre jugement.

**AVERTISSEMENT !** Ne jamais installer d'accessoires non approuvés. Ne jamais utiliser des accessoires dont l'installation sur cet appareil n'est pas homologué par Shindaiwa.



**AVERTISSEMENT !**  
**Faire preuve de jugement**

**NE JAMAIS** transporter le taille-haie ou le laisser sans surveillance pendant que le moteur fonctionne. Lorsqu'il fonctionne, le moteur peut accélérer accidentellement et entraîner l'oscillation de la lame.

S'assurer que le protecteur de la lame est installé avant de transporter ou de remiser le taille-haie articulé.

**TOUJOURS** s'assurer que l'accessoire de coupe ainsi que tous les protecteurs et poignées sont correctement installés et fermement serrés avant toute utilisation.

Inspecter l'appareil pour détecter toute pièce ou tous accessoires brisés, mal installés ou manquants éventuels.

**NE JAMAIS** utiliser une lame ou contre-lame fendillée ou tordue : la remplacer par un accessoire en bon état, et s'assurer que celui-ci se règle correctement sur le support.

S'assurer qu'aucune vis n'est desserrée ou manquante et que l'interrupteur et l'accélérateur fonctionnent correctement.

S'assurer qu'il y a toujours une bonne ventilation lors de l'utilisation du taille-haie articulé. Les gaz émanant du tuyau d'échappement peuvent causer de graves blessures, voire causer la mort. **NE JAMAIS** faire fonctionner le moteur à l'intérieur.

**NE JAMAIS** fumer ou allumer de feu près du taille-haie. Tenir le taille-haie à l'écart de toute chaleur excessive. Le carburant est une matière inflammable et un incendie pourrait entraîner des blessures physiques graves ou une défaillance de l'appareil.

Avant de démarrer le moteur, s'assurer que rien n'obstrue le mouvement de l'accessoire de coupe.

Arrêter l'appareil immédiatement s'il se met à vibrer ou s'il devient instable.

**TOUJOURS** vérifier que toutes les mesures de sécurité sont respectées avant d'utiliser l'appareil, notamment lors d'une utilisation sur un escabeau ou une échelle.

**TOUJOURS** arrêter le moteur immédiatement et vérifier si l'accessoire de coupe est endommagé après avoir percuté un objet ou si l'appareil devient instable. Ne pas utiliser un accessoire de coupe brisé ou endommagé.

Lors de la coupe d'une branche sous tension, toujours anticiper l'effet de « ressort » afin de ne pas risquer d'être frappé par la branche.

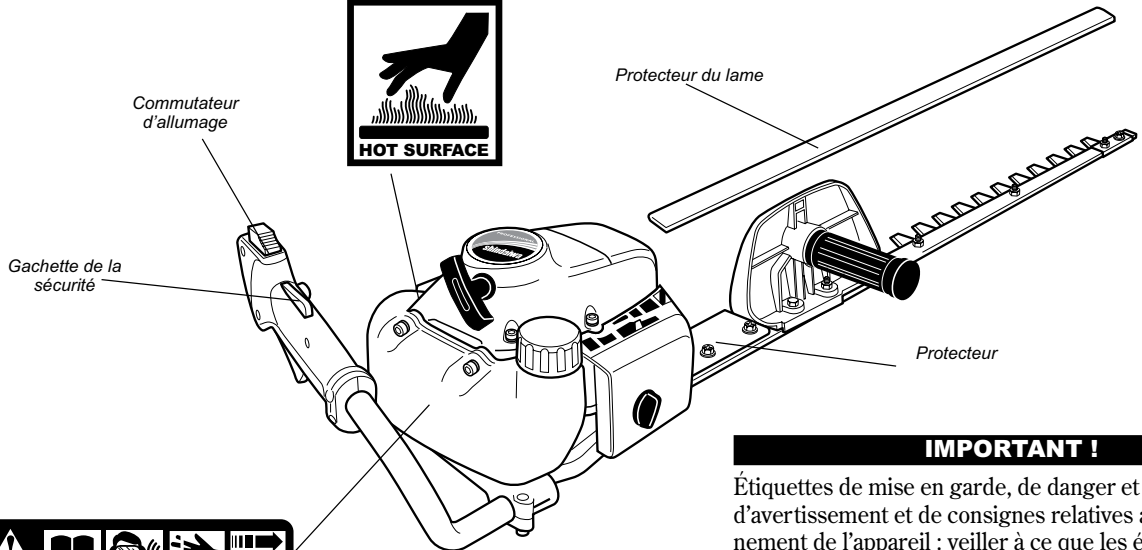
En cas de coincement de la lame pendant la coupe, arrêter l'appareil immédiatement. Pousser la branche ou l'arbre pour décroincer et dégager la lame.


**TOUJOURS** arrêter le moteur et le laisser refroidir avant de faire le plein. Éviter de trop remplir le réservoir et essuyer tout carburant qui pourrait avoir débordé.

Afin de réduire les risques d'incendie, garder le moteur libre de tous débris de feuilles ou d'accumulation excessive de matières grasses.

Français

## Étiquettes de sécurité





**HOT SURFACE**

**IMPORTANT !**

Étiquettes de mise en garde, de danger et d'avertissement et de consignes relatives au fonctionnement de l'appareil : veiller à ce que les étiquettes informatives soient intactes et lisibles. Remplacer immédiatement toute étiquette manquante ou endommagée. De nouvelles étiquettes sont disponibles auprès du représentant Shindaiwa agréé local.

CAUTION	READ AND FOLLOW THE INSTRUCTIONS IN THE OPERATORS MANUAL.	WEAR EYE AND HEARING PROTECTION AT ALL TIMES DURING OPERATION.	THE BLADES ARE SHARP! HANDLE WITH CARE.	KEEPS HANDS CLEAR OF CUTTER BLADES WHEN STARTING THE ENGINE.

## Sécurité (suite)

Porter des vêtements ajustés pour protéger les jambes et les bras. Il est fortement recommandé de porter des gants car ils offrent une sécurité supplémentaire. Ne pas porter de vêtements ou de bijoux qui pourraient facilement se coincer dans l'appareil ou dans les broussailles.

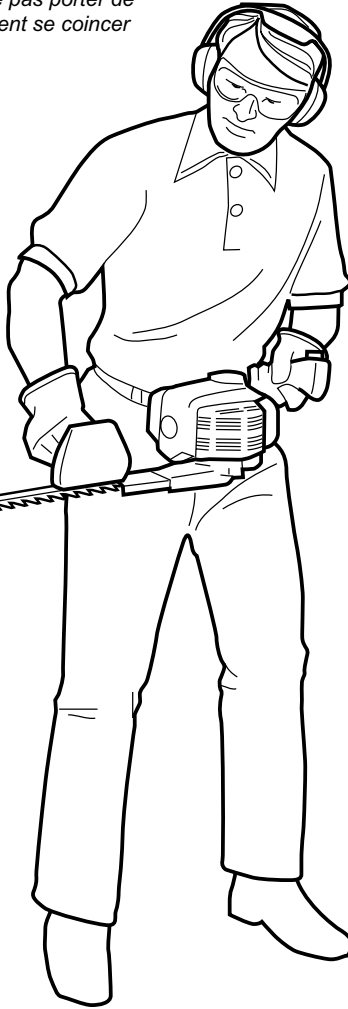
**TOUJOURS** porter un dispositif de protection pour les yeux et pour les oreilles ainsi que des gants de travail.

Éviter que les lames n'entrent en contact avec les immeubles ou autres objets solides pendant le fonctionnement. En cas de coincement de la lame pendant la coupe, arrêter l'appareil immédiatement. Dégager la lame avant de poursuivre.

**TOUJOURS** arrêter le moteur et installer le protecteur de la lame avant de vous déplacer vers une autre aire de coupe et garder le pied ferme pendant l'utilisation ou le transport du taille-haie.

Ne tentez jamais de sectionner un fil ou un objet métallique avec le taille-haie.

Utiliser l'appareil avec une extrême prudence à proximité de clôtures ou de fils électriques.



**NE JAMAIS** laisser l'appareil entre les mains d'un enfant. Éviter d'utiliser l'appareil à proximité d'observateurs.

**TOUJOURS** garder les deux mains fermement agrippées sur l'appareil.

**NE JAMAIS** utiliser en aucun cas une machine dont la plaque de protection est endommagée.

Éviter d'utiliser ou de remiser l'appareil dans un endroit humide. L'eau sur les lames peut pénétrer dans le boîtier d'engrenage et endommager l'appareil.

Ne vous attaquez pas à de trop grosses branches, ou à des matériaux trop durs. Vous risquez d'endommager la boîte d'engrenage et de réduire la durée de vie de la machine.

Garder le pied ferme et ne pas s'étirer outre mesure- garder l'équilibre en tout temps.

Entretenez toujours cette unité selon le manuel de ce propriétaire et suivez le maintien prévu recommandé.

Ne jamais faire fonctionner l'appareil sans le carter de l'accessoire de coupe ou autres dispositifs de protection !

Utiliser uniquement des pièces et accessoires autorisés Shindaiwa avec votre taille-bordure Shindaiwa. Ne pas apporter de modifications à l'appareil sans l'autorisation écrite de Shindaiwa, Inc.

Toujours s'assurer que l'accessoire de coupe est correctement installé et fermement serré avant toute utilisation.

Ne jamais utiliser un accessoire de coupe fendillé ou voilé : replace it with a serviceable one.

Toujours s'assurer que l'accessoire de coupe se règle correctement sur le support de l'accessoire approprié. Si un accessoire installé correctement vibre, le remplacer par un nouvel accessoire et vérifier une nouvelle fois.

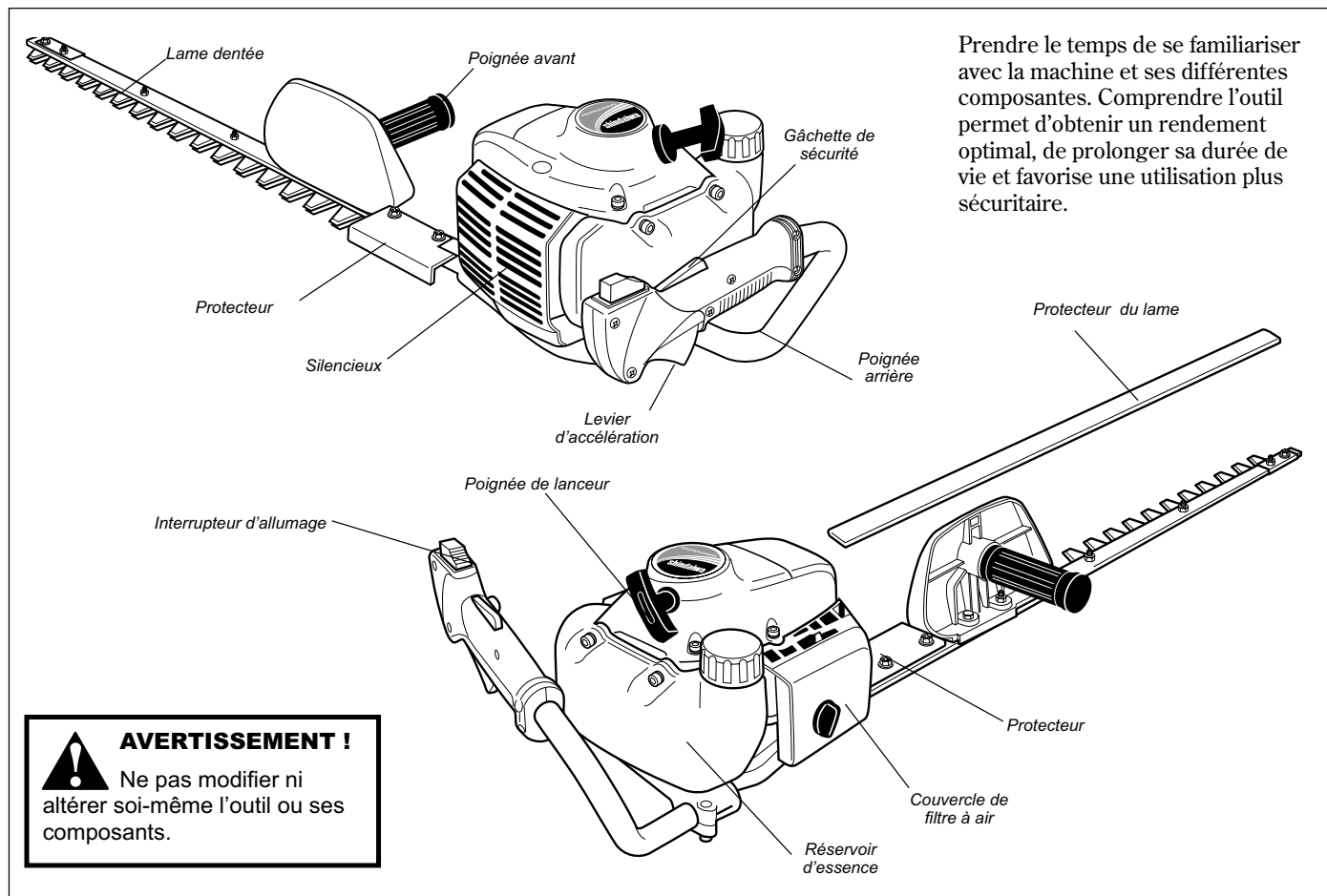
Toujours arrêter le moteur immédiatement et vérifier si l'accessoire de coupe est endommagé après avoir percuté un objet solide, ou si l'appareil devient instable.

Ne pas utiliser un accessoire de coupe brisé ou endommagé.

**NE JAMAIS** faire fonctionner le moteur à haut régime sans charge. Cela pourrait endommager le moteur.

**NE JAMAIS** faire fonctionner un appareil dont les attaches ou supports d'accessoire sont usés ou endommagés.

# Nomenclature



Français

## Caractéristiques techniques

Modèle	HT231-30	HT231-40
Type de moteur	2-temps, cylindre vertical, refroidissement à air	
Alésage x course	32mm x 28mm	
Cylindrée	22,5cc	
Poids à sec	5.9 kg (13.0 lb)	6.4 kg (14.1 lb)
Dimensions (L x W x H)	990 x 210 x 210 mm	1330 x 210 x 210 mm
Régime moteur maximal	1,1 hp @ 8000 min <sup>-1</sup> (rpm)	
Vitesse du ralenti ( recommandée )	3,000 (±250) min <sup>-1</sup> (rpm)	
Fuel Tank Capacity	0,6 liter/20.3 oz.	
Rapport essence/huile	50:1 avec huile pour moteur à deux temps ISO-L-EGD ou JASO FC classe 2	
Carburateur	Walbro WYJ, Diaphragm type	
Allumage	Entièrement électronique, par transistor	
Bougie	Champion CJ8Y	
Electrode Gap	0,6 - 0,7 mm / .024 - .028 "	
Torque	170 - 190 kg cm / 16,7 - 18.6 N-m	
Filtre à air	Mousse	
Type de silencieux	2-stage catalyst	
Démarrage	A rappel	
Arrêt	Interrupteur à glissière	
Longueur de la lame	740 mm	1080 mm
Type de lame	Lame droite à double tranchant	
Type d'embrayage	Centrifuge, à sec	
Type d'engrenage	Engrenage Fixe	
Lubrifiant pour engrenage	Graisseau lithium	
Équipement Standard	Poignée arrière avec commandes, fixations antivibratoires. Poignée avant munie d'un protecteur.	
Période de conformité à l'EPA*	Catégorie A	

Les caractéristiques techniques peuvent être modifiées sans préavis.

\*\* La conformité aux normes d'émissions EPA, mentionnée sur l'étiquette de contrôle des émissions située sur le moteur, indique le nombre d'heures de fonctionnement pour lesquelles le moteur est conforme aux exigences fédérales concernant les émissions. Catégorie C = 50 heures (Modéré), B = 125 heures (Intermédiaire) et A = 300 heures (Étendu).

## Mélange de carburant

### MISE EN GARDE !

- Ne jamais utiliser un carburant contenant plus de 10 % d'alcool par volume. Certains carburants contiennent de l'alcool comme oxygénant. Le carburant oxygéné peut causer l'augmentation des températures de fonctionnement. Dans certaines situations, le carburant à base d'alcool peut également faire diminuer les propriétés lubrifiantes de certains mélanges d'huile pour moteur à deux temps.
- Les huiles génériques et certaines huiles pour moteurs hors-bord ne doit jamais être utilisé avec les moteurs de Shindaiwa.

### MISE EN GARDE !

Ce moteur est conçu pour fonctionner avec un mélange d'essence sans plomb et d'huile de catégorie ISO-L-EGD ou JASO FD pour moteur à deux temps seulement, dans une proportion de 50:1. L'utilisation de mélanges d'huile non autorisés risque d'entraîner une accumulation excessive de dépôt de calamine.

- Utiliser uniquement de l'essence sans plomb propre dont l'indice d'octane est égal ou supérieur à 87.
- Mélanger l'essence avec une huile pour moteurs à deux temps dont les caractéristiques sont conformes ou supérieures aux exigences des normes ISO-L-EGD et/ou JASO FD selon un rapport de 50:1.

### MISE EN GARDE !

Le mélange et verse le carburant en plein air où il n'y a aucune étincelle et flammes.

### Exemples de quantités de mélange de carburant à 50:1

U.S.		Metric	
Essence	Huile moteur à deux temps	Essence	Huile moteur à deux temps
États-Unis Gallons	États-Unis Fl.oz.	Litres	cc.
1	2.6	4	80
2	5.2	8	160
5	13	20	400
10	25.6	30	600
20	51.2	50	1000
50	128	100	2000

### IMPORTANT !

Uniquement préparer la quantité dont vous avez besoin dans l'immédiat ! Si le carburant doit être remis plus de 30 jours et que l'huile **ONE** avec stabilisateur n'est pas utilisée, il est préférable de la stabiliser à l'aide d'un produit adapté.

L'huile **ONE** est une huile conforme à la norme JASO FD, et satisfait également aux exigences de la norme ISO-L-EGD relative aux performances. L'huile Shindaiwa One est préconisée pour tous les moteurs à émissions réduites de Shindaiwa, et contient également un stabilisateur.

## Remplissage du réservoir à carburant



### AVERTISSEMENT !

Réduire les risques d'incendie !

- **NE JAMAIS** fumer ou allumer de feu à proximité du moteur.
- **TOUJOURS** arrêter le moteur et le laisser refroidir avant de faire le plein.
- **TOUJOURS** nettoyer tout déversement de carburant et déplacer le moteur à au moins 3 mètres du lieu et de la source de remplissage avant de démarrer !
- **NE JAMAIS** placer de matière inflammable à proximité du silencieux du moteur.
- **NE JAMAIS** utiliser le moteur sans silencieux ou sans pare-étincelles, et sans que ceux-ci ne fonctionnent correctement.
- **LE CARBURANT EST FORTEMENT INFLAMMABLE.**
- Gardez **TOUJOURS** l'essence dans un conteneur approuvé.
- **TOUJOURS** vérifier qu'il n'y a pas de fuites de carburant avant chaque usage. À chaque remplissage, s'assurer que le carburant ne s'écoule pas du bouchon et/ou du réservoir de carburant. En cas de fuite apparente, cesser immédiatement d'utiliser l'appareil. Réparer toute fuite de carburant avant d'utiliser l'appareil.
- **TOUJOURS** déplacer l'appareil à 3 mètres au moins de l'aire de remplissage ou d'autres substances inflammables avant de démarrer le moteur.

1. Placer l'appareil sur une surface plane et stable.
2. Enlever tout débris ou toute saleté du bouchon du réservoir de carburant.

### MISE EN GARDE !

Enlevez le bouchon de réservoir lentement seulement après l'arrêt du moteur.

3. Enlever le bouchon du réservoir et verser du carburant propre dans le réservoir.
4. Remettre le bouchon sur le réservoir de carburant et serrer fermement.
5. Nettoyer tout déversement d'essence avant de démarrer le moteur.

## Démarrage du moteur Avant démarrage

Le taille-haie est entièrement assemblé. Avant l'utilisation, inspecter l'appareil pour s'assurer que toutes les composantes sont en place et que les attaches sont serrées. Identifier toute pièce ou composante manquante, endommagée ou brisée. L'appareil comprend les éléments suivants:

- Manuel d'utilisation.
- La trousse d'outils comprend une clé hexagonale, un tournevis, une clé mixte à bougie de 13 mm.
- Protecteur de la lame.

### IMPORTANT!

Les termes « gauche », « à gauche » et « vers la gauche »; « droite », « à droite » et « vers la droite »; « devant » et « arrière » font référence à la direction telle que vue par l'opérateur lors d'une utilisation normale.

## Démarrage du moteur

### IMPORTANT !

L'allumage du moteur est commandé par un commutateur à deux positions (marche/arrêt) monté sur le corps de l'accélérateur. En général, ce bouton porte l'inscription « I » pour MARCHÉ et « O » pour ARRÊT.



### AVERTISSEMENT !

**PRENDRE GARDE À L'OUTIL DE COUPE PENDANT LA PROCÉDURE DE DÉMARRAGE ! LES LAMES PEUVENT SE METTRE EN MOUVEMENT LORSQUE LE MOTEUR EST DÉMARRÉ.**

- Pour le démarrage, l'appareil doit reposer sur le sol.
- Adopter une position stable, tout en tenant fermement l'appareil.
- S'assurer qu'aucun observateur ou animal ne se trouve à proximité de l'appareil.

1. Glisser le commutateur d'allumage sur la position « I » (MARCHÉ).
2. Régler le levier d'accélération en position « ralenti rapide » de la façon suivante :
  - a. Ramener le levier d'accélération en direction de la poignée sur le tube de l'axe.
  - b. Appuyer sur le bouton de blocage de l'accélérateur et le maintenir enfoncé.
  - c. Tout en enfonçant le bouton de blocage de l'accélérateur, relâcher le levier d'accélération
3. Appuyer à plusieurs reprises la pompe d'amorçage du carburateur jusqu'à voir le carburant circuler dans la conduite de retour transparente.

### IMPORTANT !

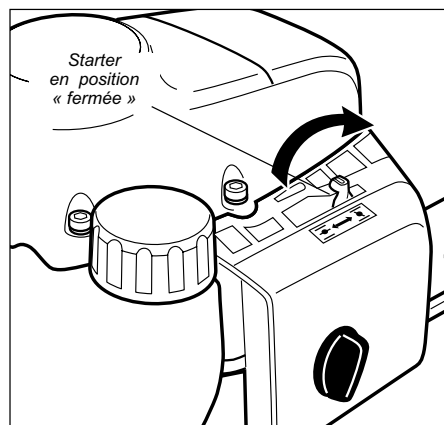
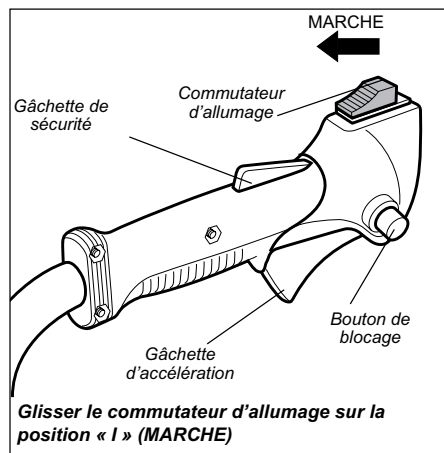
Le système d'amorçage ne fait qu'injecter du carburant dans le carburateur. Appuyer à plusieurs reprises sur la poire d'amorçage ne risque pas de noyer le moteur avec du carburant.

4. Placer le levier de l'starter en position « fermée » si le moteur est froid.
5. Poser l'appareil sur le sol. Tenir le couvercle du moteur de la main gauche et la poignée de lanceur de la main droite.



### AVERTISSEMENT !

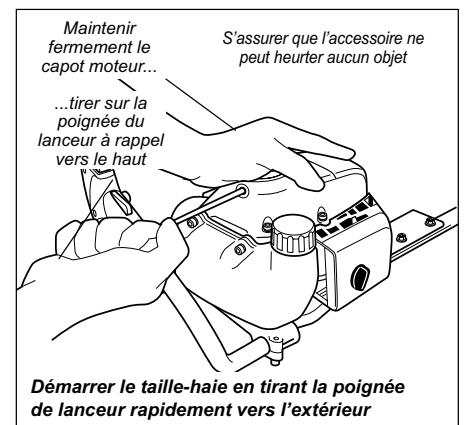
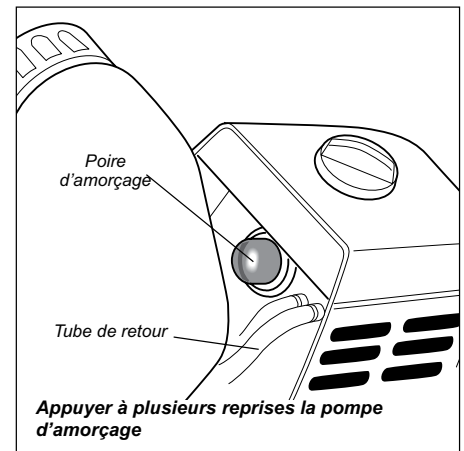
Ne jamais démarrer l'appareil en position d'utilisation. L'outil de coupe commence à se déplacer dès que le moteur prend de la vitesse !



6. Tirer lentement sur la poignée de lanceur jusqu'à ce que le démarreur s'engage.
7. Démarrer le taille-haie en tirant la poignée de lanceur rapidement vers l'extérieur.

### MISE EN GARDE !

Ne jamais tirer la corde du lanceur à rappel jusqu'au bout. Tirer complètement la corde du lanceur à rappel risque d'endommager le démarreur.



### IMPORTANT !

Si le moteur ne démarre pas après plusieurs tentatives alors que l'starter est en position « fermée », il est peut-être noyé. Consulter la section « Démarrage d'un moteur noyé » de ce manuel.

## Démarrage du moteur (suite)

### Dès que le moteur démarre ...

1. Ouvrir le starter en déplaçant le levier vers le réservoir à essence s'il n'est pas déjà ouvert.
2. Si le moteur cesse de tourner, répétez la procédure du démarrage pour un moteur chaud ou froid, selon le cas.
3. Après que le moteur a démarré, action-

nez plusieurs fois le levier d'accélérateur pour éliminer l'excédent de carburant dans la chambre de combustion.

4. En actionnant la manette des gaz, vous libérez automatiquement le mécanisme du ralenti rapide.

### Le moteur ne démarre pas

- Répéter les étapes du démarrage d'un moteur froid ou chaud, selon le cas.
- Si le moteur ne démarre toujours pas, suivre la procédure « Démarrage d'un moteur noyé »

### Démarrage d'un moteur noyé



#### AVERTISSEMENT !

Un moteur chaud peut causer des brûlures. Laisser le moteur refroidir avant d'enlever la bougie.

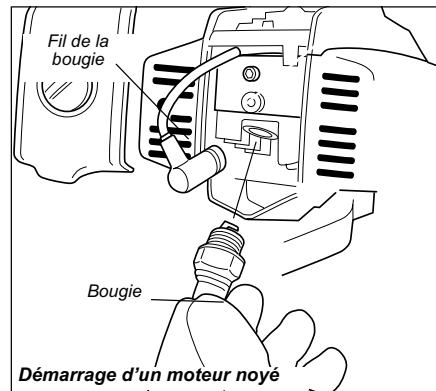
1. Débrancher l'avance de bougie, et alors utiliser la clé plate de bougie pour desserrer et enlever la bougie.
2. Si la bougie est foudée ou être trempée avec le carburant, nettoyer ou remplacer le bouchon comme nécessaire. Pour les spécifications de bougie et la procédure de gapping, référez-vous à la section « Entretien de 10 -15 heures ».

3. Avec la bougie enlevée, couder le moteur à plusieurs reprises pour éclaircir le carburant supplémentaire de la chambre de combustion.

#### MISE EN GARDE !

Une bougie mal installée risque d'endommager gravement le moteur !

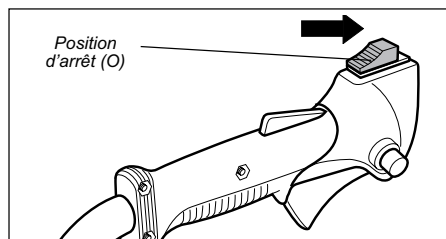
4. Remplacer la bougie et le resserre fermement avec la clé plate de bougie. Si une clé dynamométrique est disponible, Consulter la section " Caractéristiques techniques " pour le moment de torsion la bougie.
5. Répéter les procédures commençant pour un moteur chaud.



6. Si le moteur ne commence pas toujours ou vider, se référer au tableau de dépannage à la fin de ce manuel.

### Arrêt du moteur

1. Après une séance de travail, laisser tourner le moteur au ralenti 2 à 3 minutes afin qu'il retrouve une température normale.
2. Glisser l'interrupteur en position « O » (ARRÊT).



#### IMPORTANT

Une fois l'appareil éteint, attendre que la lame soit immobile avant de déposer l'appareil.

### Réglage du ralenti du moteur

Le moteur doit retourner au ralenti lorsque le levier d'accélération est relâché. La vitesse de ralenti est réglable et doit être suffisamment basse pour permettre à l'embrayage de désengager les lames.

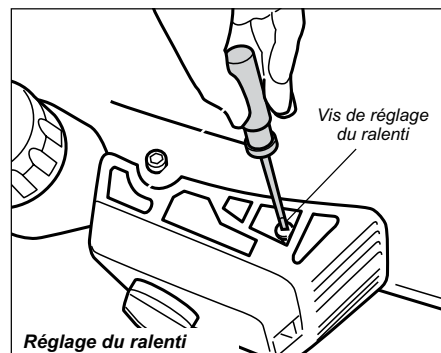


#### AVERTISSEMENT !

Les lames NE doivent JAMAIS fonctionner lorsque le moteur tourne au ralenti. S'il est impossible de régler la vitesse de ralenti en suivant la procédure indiquée, s'adresser à un agent Shindaiwa.

### Réglage du ralenti

1. Poser l'appareil sur le sol, puis démarrer le moteur et le laisser tourner au ralenti pendant 2 à 3 minutes jusqu'à ce qu'il soit chaud.
2. Si les lames fonctionnent lorsque le moteur tourne au ralenti, réduire la vitesse de ralenti en tournant la vis de réglage du ralenti en sens antihoraire.
3. Si un tachymètre est disponible, régler le régime du ralenti aux valeurs inscrites dans la section de « Spécifications ».



#### NOTE:

Les réglages de richesse du carburateur sont réalisés en usine et ne peuvent être modifiés sur le terrain.

### Utilisation

- Une pression sur le levier d'accélération augmente le régime du moteur, actionne l'embrayage qui entraîne le mouvement des lames.
- Le relâchement de l'accélérateur réduit

le régime du moteur, ce qui désengage l'embrayage et entraîne le ralentissement du mouvement des lames jusqu'à leur arrêt complet.

- Procéder à la coupe en effectuant un

mouvement de balayage.

- Éviter de couper des branches dont le diamètre excède 0,127 mm.



# Entretien

## Entretien général

### IMPORTANT !

L'ENTRETIEN, LE REMPLACEMENT OU LA RÉPARATION D'UN DISPOSITIF DE CONTRÔLE DES ÉCHAPPEMENTS ET DES SYSTÈMES PEUT ÊTRE EFFECTUÉ PAR TOUT ÉTABLISSEMENT DE RÉPARATION OU INDIVIDU. CEPENDANT, LES RÉPARATIONS COUVERTES PAR LA GARANTIE DOIVENT ÊTRE EFFECTUÉES PAR UN DÉTAILLANT OU UN CENTRE DE SERVICES AUTORISÉ PAR SHINDAIWA INC. L'UTILISATION DE PIÈCES DONT LE RENDEMENT ET LA DURABILITÉ NE SONT PAS ÉQUIVALENTS AUX PIÈCES UTILISÉES PEUT COMPROMETTRE L'EFFICACITÉ DU SYSTÈME ANTIPOLLUTION ET L'ACCEPTATION D'UNE DEMANDE DE RÉPARATION AU TITRE DE LA GARANTIE.



### AVERTISSEMENT !

Avant de procéder à l'entretien, à la réparation ou au nettoyage de l'appareil, s'assurer que le moteur et l'accessoire de coupe sont arrêtés. Débrancher le fil de la bougie avant de procéder à l'entretien ou à la réparation.



### AVERTISSEMENT !

Les pièces non approuvées risquent de ne pas fonctionner correctement et de causer des dommages ou des blessures.

### Silencieux

Ne jamais faire fonctionner l'appareil sans silencieux ou sans pare-étincelles ou s'ils sont endommagés. S'assurer que le silencieux est fixé correctement et en bon état. Un silencieux usé ou endommagé représente un risque d'incendie et peut causer la perte de l'outil.

### Bougie

Garder la bougie et les fils de connexion serrés et propres.

### Attaches

S'assurer que les écrous, boulons et vis (excepté les vis de réglage du carburateur) sont serrés.

### NOTE

L'utilisation de pièces de remplacement autres que celles approuvées peut invalider la garantie Shindaiwa.

## Entretien quotidien

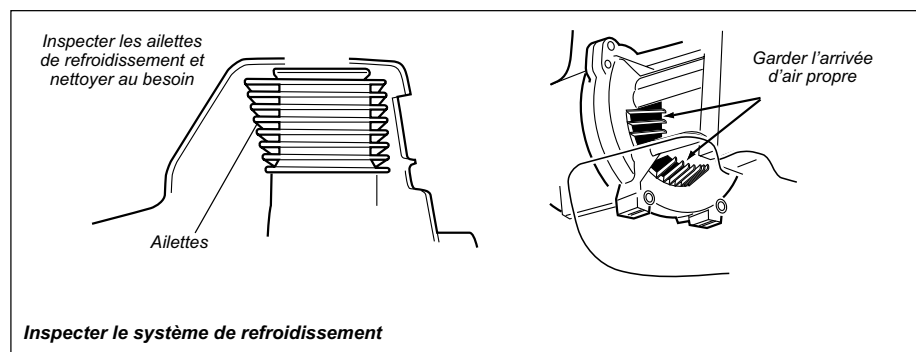
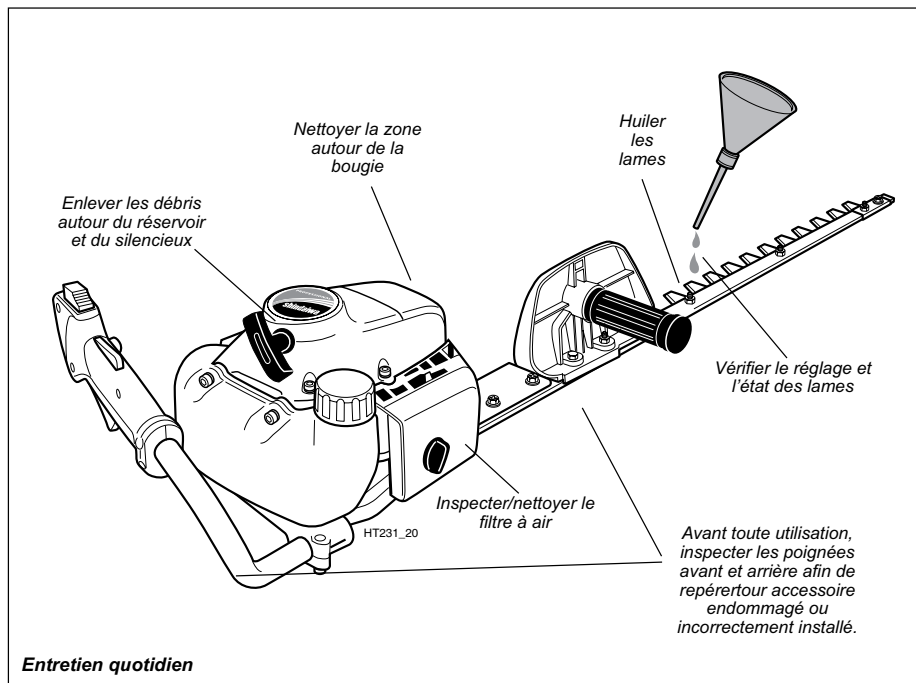
Suivre la procédure suivante au début de chaque journée de travail :



### AVERTISSEMENT !

- Les lames de l'accessoire de coupe sont très tranchantes ! Toujours porter des gants pour travailler à proximité de l'accessoire de coupe.
- Pour réduire les risques d'incendie, enlever régulièrement les débris de végétaux, les feuilles et la graisse qui se sont déposés sur le moteur et le silencieux.

- Huiler les lames avant d'utiliser la machine et après chaque plein d'essence.
- S'assurer que les lames ne sont pas endommagées ni incorrectement réglées, et les régler ou remplacer selon le cas.
- Enlever toute accumulation de saleté ou de débris autour du silencieux et du réservoir à essence.
- Inspecter l'arrivée d'air du système de refroidissement à la base du carter de vilebrequin. Les accumulations de saleté sur ces pièces peuvent causer la surchauffe du moteur, un incendie ou l'usure précoce de l'outil.
- Enlever toute accumulation de saleté ou de débris autour des lames de l'outil de coupe du taille-haie.
- Vérifier qu'aucune vis ou composante n'est desserrée ou manquante. S'assurer que l'outil de coupe est solidement fixé.
- Vérifier qu'il n'y a pas de fuite d'essence ou d'huile.



## Entretien (suite)

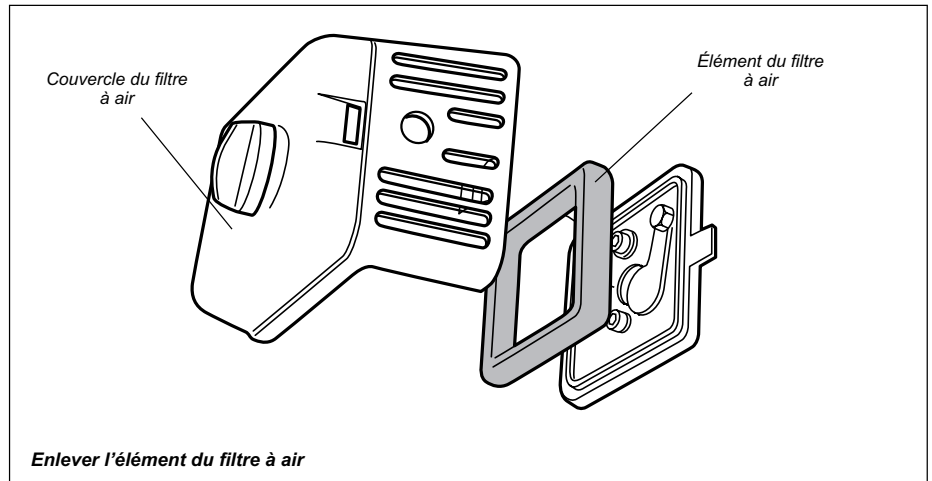
### Entretien aux 10 heures

(plus souvent dans des conditions poussiéreuses ou sales) :

#### MISE EN GARDE !

Ne jamais utiliser la machine si le filtre à air ou son boîtier est endommagé ou si le filtre à air est mouillé ou imbibé d'eau.

Enlever l'élément du filtre à air et le nettoyer abondamment avec de l'eau savonneuse. Rincer et laisser sécher. Ajouter quelques gouttes d'huile, laisser pénétrer puis remonter.

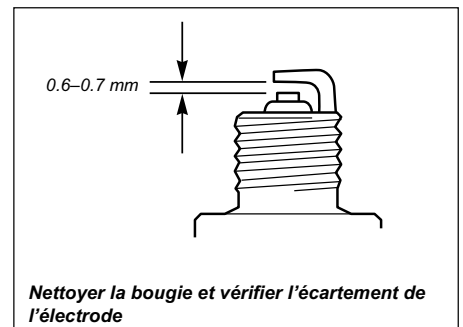


### Toutes les 10 à 15 heures d'utilisation :

- Enlever et nettoyer la bougie. Consulter la section "Caractéristiques techniques" pour le type correct de bougie d'allumage et pour l'écart d'électrode correct.

#### MISE EN GARDE !

Avant d'enlever la bougie, nettoyer l'aire autour de la bougie afin d'éviter que des saletés ou des poussières ne se logent à l'intérieur du moteur.



### Toutes les 20 et 100 heures d'utilisation

#### Lubrification du boîtier d'engrenages

#### MISE EN GARDE !

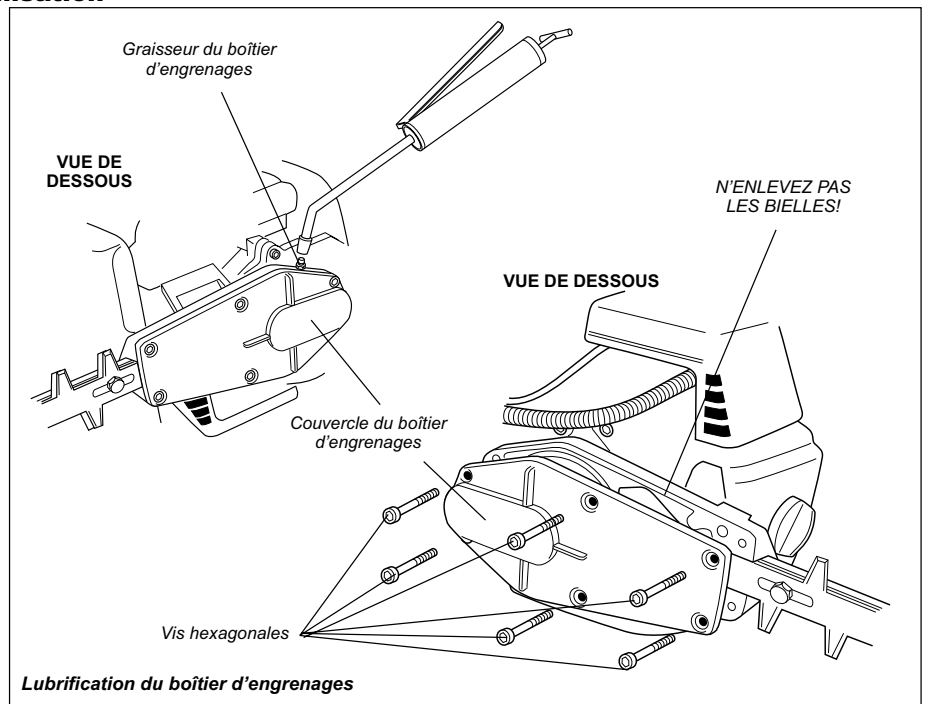
- Un excès d'huile risque de ralentir le mouvement des engrenages et de provoquer des écoulements.
- Ne pas enlever les bielles des lames; les coussinets de bielle peuvent être égarés ou endommagés s'ils sont déplacés.

#### Toutes les 20 heures

À l'aide d'une pompe à graisse, injecter de la graisse à base de Lithium (10 grammes environ) dans les orifices de graissage (A) du boîtier réducteur,.

#### Toutes les 100 heures

Connecter un pistolet graisseur dans l'orifice de graissage sur le côté gauche du boîtier d'engrenages. Remplir de graisse au lithium de première qualité jusqu'au niveau indiqué. Trois injections du pistolet graisseur devraient suffire. NE PAS TROP REMPLIR LE BOÎTIER D'ENGRENAGES!



## Entretien (suite)

### Entretien aux 50 heures

(plus souvent dans des conditions poussiéreuses ou sales) :

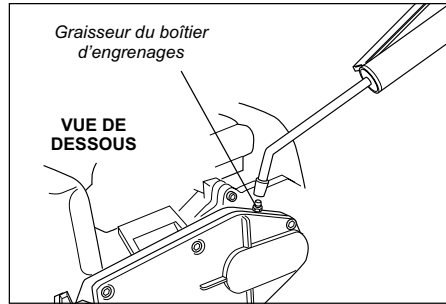
- Enlever et nettoyer le couvercle du cylindre, et enlever les accumulations d'herbe et de saletés logées dans les ailettes du cylindre.

#### Lubrification du boîtier d'engrenages

- Enlever le couvercle du boîtier d'engrenages. Utiliser un dissolvant et une brosse à poils doux pour enlever la graisse usée du boîtier d'engrenages. Pour remplir, enduire le boîtier d'engrenages d'environ 40 à 50 grammes de graisse au lithium de première qualité (50 à 70 % de capacité). **NE PAS TROP REMPLIR !**

#### Remplacement du filtre à carburant

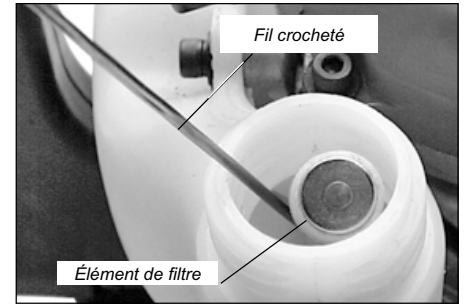
- Utiliser un crochet en fil de fer pour extraire la crépine de carburant du réservoir à carburant. Inspecter l'élément du filtre à carburant. S'il montre des



#### MISE EN GARDE!

Veiller à ne pas percer la conduite d'alimentation avec l'extrémité du fil croché. Le conduit est délicat et peut facilement être endommagé.

signes de contamination par des débris, le remplacer par un élément de filtre à carburant Shindaiwa.

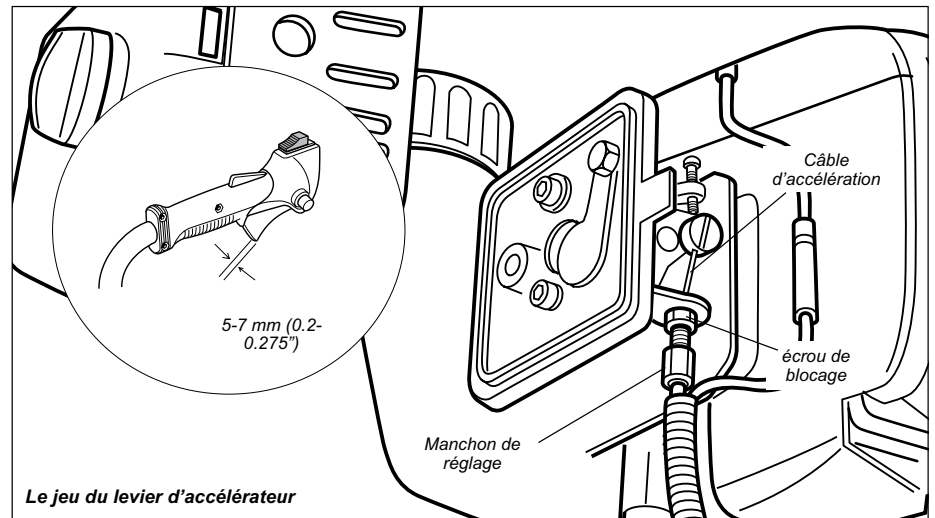


Avant de réinstaller le nouvel élément de filtre, contrôler l'état de toutes les composantes du système d'alimentation en carburant (conduite d'aspiration du carburant, conduite de retour du carburant, conduite de la mise à l'air libre, mise à l'air libre, bouchon du réservoir et réservoir à carburant). Si des dommages, des fissures ou d'autres détériorations sont visibles, ne pas utiliser l'appareil tant qu'il n'a pas été inspecté par un technicien autorisé Shindaiwa.

#### Le jeu du levier d'accélérateur

Si le moteur ne peut pas revenir au ralenti ou ne peut pas atteindre sa vitesse maximum, il est nécessaire de régler le jeu du levier :

1. Le jeu du levier d'accélérateur doit être de 5 à 7 mm.
2. Si un réglage est nécessaire, déposer le couvercle de filtre à air. Desserrer l'écrou de blocage du manchon de réglage, et tourner celui-ci jusqu'à obtenir un jeu correct du levier
3. Remettre le couvercle du filtre à air en place.



Français

#### Réglage de la lame



#### AVERTISSEMENT !

Les lames de l'outil de coupe sont très tranchantes ! Toujours porter des gants pour travailler à proximité de l'accessoire de coupe.

Les performances de coupe de la machine dépendent en grande partie du dégagement des lames de l'outil de coupe. Des lames ajustées de manière adéquate fonctionneront librement, ce qui empêchera l'accumulation de matières coupées entre les lames. Ajuster les lames comme suit :

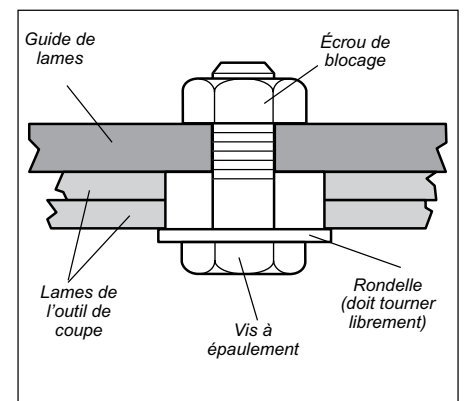
1. Desserrer l'ensemble des écrous de blocage d'au moins un tour complet.
2. Serrer chaque vis jusqu' en butée puis desserrer de ¼ à ½ tour.

#### MISE EN GARDE !

Des lames mal réglées ou usées nuisent au bon rendement de l'outil et peuvent même l'endommager.

3. En travaillant à partir de l'extrémité du boîtier d'engrenages, fixer chaque écrou en place en serrant fermement les écrous de blocage tout en empêchant la vis de tourner.

Une fois la vis correctement réglée, il devrait y avoir un écart de 0,25 à 0,50 mm entre les lames de l'outil de coupe et les rondelles plates, et la rondelle plate située sous chaque tête de vis devrait tourner librement.



## Entretien (suite)

### Entretien aux 139 heures

Entretien saisonnier (en cas de difficulté de démarrage ou de rendement insuffisant) :

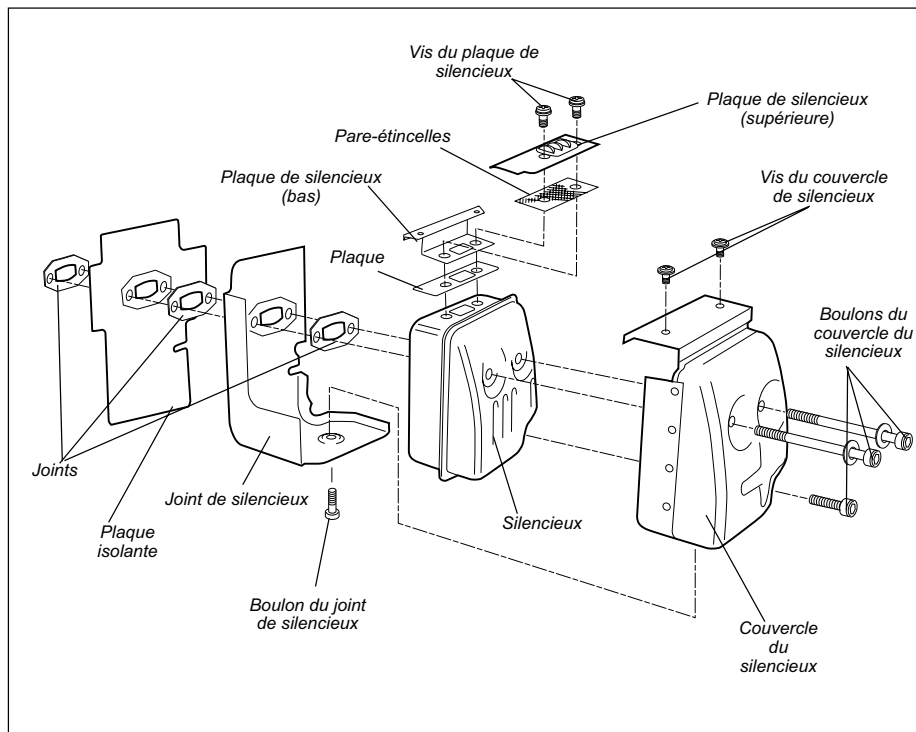


#### AVERTISSEMENT !

Ne jamais faire fonctionner cet appareil sans silencieux ou sans pare-étincelles ou s'ils sont endommagés ! Si les composantes du dispositif d'échappement sont endommagées ou absentes, il est dangereux d'utiliser l'appareil car il pourrait prendre feu ou causer des troubles auditifs.

Des dépôts de calamine logés dans le pare-étincelles risquent de rendre le démarrage difficile et de diminuer le rendement de l'appareil. Pour un fonctionnement optimal, nettoyer périodiquement le pare-étincelles de la façon suivante.

1. Desserrez le bouton de le couvercle de bougie couvercle et retirez le couvercle.
2. Retirer le fil de bougie.
3. Dévissez les quatre boulons de 5 mm à partir du haut de lancer le couvercle et retirez le couvercle.
4. Desserrez le boulon de 5 mm à partir du haut de le couvercle de cylindre et les deux boulons de 4 mm du fond de le couvercle de cylindre. Retirez le couvercle.
5. Desserrez les trois 5 mm boulons du couvercle de silencieux, et retirez le couvercle de le silencieux.



6. Retirer le boulon du le joint du le silencieux.
7. Desserrez les deux vis de 4 mm de la plaque du le silencieux.
8. Retirer les deux vis de 4 mm de la plaque supérieure du silencieux et retirer la plaque du silencieux..
9. Enlever le pare-étincelles et le nettoyer à l'aide d'une brosse à poils durs.
10. Inspecter l'orifice d'échappement du cylindre à la recherche de toute accumulation de calamine.
11. Réassembler le pare-étincelles, le silencieux et le couvercle du moteur dans l'ordre inverse du désassemblage

#### IMPORTANT !

En cas d'accumulation excessive de calamine, consulter un revendeur Shindaiwa agréé.

## Remisage à long terme

Si l'appareil doit être remis plus de 30 jours, suivre la procédure suivante pour le préparer au remisage :

- Nettoyer les pièces des parties externes.
- Purger le carburant du carburateur et du réservoir à carburant.

Pour ce faire:

1. Appuyer sur la pompe d'amorçage jusqu'à ce qu'elle ne fasse plus circuler de carburant.
2. Démarrer et laisser fonctionner le moteur jusqu'à ce qu'il s'arrête de lui-même.
3. Répéter les étapes 1 et 2 jusqu'à ce que le moteur refuse de démarrer.

#### MISE EN GARDE !

Le carburant laissé dans le carburateur pendant une période prolongée peut nuire au démarrage et accroître les coûts de service et d'entretien.

#### IMPORTANT !

Stabiliser le carburant remis à l'aide d'un produit adapté, tel STA-BIL®.

#### REMARQUE

Les dommages causés par vicié ou contaminé le carburant n'est pas couverte par la garantie Shindaiwa politique.

- Retirer la bougie et verser environ 7 ml d'huile pour moteur à deux temps dans le cylindre, par l'orifice de la bougie. Tirer lentement sur le lanceur à rappel à deux ou trois reprises pour enduire uniformément les parois du cylindre. Réinstaller la bougie.
- Toujours réparer une pièce endommagée ou usée avant le remisage.
- Enlever le filtre à air du carburateur et le nettoyer soigneusement avec de l'eau savonneuse. Laisser sécher avant de réinstaller le filtre à air.
- Remiser l'appareil dans un endroit propre et sans poussière.

Points à contrôler	Cause probable	Solution
<p>Le moteur démarre-t-il bien ?</p> <p><b>NON</b> →</p> <p><b>OUI</b> ↓</p>	<p>Lanceur à rappel défectueux.</p> <p>Liquide dans le carter de vilebrequin.</p> <p>Bris interne.</p>	<p>Consulter un représentant autorisé Shindaiwa.</p>
<p>Y a-t-il une bonne compression ?</p> <p><b>NON</b> →</p> <p><b>OUI</b> ↓</p>	<p>Bougie desserrée.</p> <p>Usure excessive du cylindre, du piston, des segments.</p>	<p>Serrer et révérier.</p> <p>Consulter un représentant autorisé Shindaiwa.</p>
<p>Le réservoir contient-il de l'essence propre de grade approprié ?</p> <p><b>NON</b> →</p> <p><b>OUI</b> ↓</p>	<p>Essence souillée, éventée ou de mauvaise qualité ; mélange incorrect.</p>	<p>Remplir avec de l'essence sans plomb propre dont l'indice d'octane à la pompe est égal ou supérieur à 87, mélangée avec de l'huile pour moteur à 2 temps refroidi à l'air conforme ou supérieure à la norme ISO-L-EGD et (ou) un mélange d'huile et de carburant JASO FD dans un rapport 50:1.</p>
<p>L'essence est-elle visible dans le tuyau de renvoi lors de l'amorçage ?</p> <p><b>NON</b> →</p> <p><b>OUI</b> ↓</p>	<p>Vérifier si le filtre à essence et/ou l'orifice d'aération sont encrassés.</p> <p>La pompe d'amorçage ne fonctionne pas correctement.</p>	<p>Remplacer le filtre à essence ou le reniflard au besoin. Redémarrer.</p> <p>Consulter un représentant autorisé Shindaiwa.</p>
<p>Y a-t-il une étincelle à la borne du fil de bougie ?</p> <p><b>NON</b> →</p> <p><b>OUI</b> ↓</p>	<p>Le commutateur se trouve sur la position « Arrêt » (« O »).</p> <p>Mauvaise mise à la masse.</p> <p>Transistor défectueux.</p>	<p>Placer le commutateur en position de marche (« I ») et redémarrer.</p> <p>Consulter un représentant autorisé Shindaiwa.</p>
<p>Vérifier la bougie.</p>	<p>Si la bougie est humide, il y a peut-être un excédent d'essence dans le cylindre.</p> <p>La bougie peut être encrassée ou mal ajustée.</p> <p>La bougie peut être brisée ou de catégorie inappropriée.</p>	<p>Lancer le moteur sans la bougie, remettre la bougie en place et redémarrer.</p> <p>Nettoyer et régler l'écartement de la bougie. Consulter la section " <i>Caractéristiques techniques</i> " pour l'écart d'électrode correct. Redémarrer.</p> <p>Remplacer la bougie. Consulter la section " <i>Caractéristiques techniques</i> " pour le type correct de bougie. Redémarrer.</p>

**Points à contrôler**

**Cause probable**

**Solution**

<p><b>Le moteur surchauffe-t-il ?</b></p>	Utilisation abusive de l'appareil.	Ralentir le régime de coupe.
	Le mélange du carburateur est trop pauvre.	Consulter un représentant autorisé Shindaiwa.
	Rapport huile / essence inapproprié.	Remplir avec de l'essence sans plomb propre dont l'indice d'octane à la pompe est égal ou supérieur à 87, mélangée avec de l'huile pour moteur à 2 temps refroidi à l'air conforme ou supérieure à la norme ISO-L-EGD et (ou) un mélange d'huile et de carburant JASO FD dans un rapport 50:1.
	Ventilateur, boîtier de ventilation, ailettes du cylindre sales ou endommagés.	Nettoyer, réparer ou remplacer selon le cas.
	Dépôts de calamine dans la chambre de combustion.	Consulter un représentant autorisé Shindaiwa.

Français

<p><b>Le moteur fonctionne de façon brusque à tous les régimes. Présence éventuelle de fumée d'échappement noire et / ou d'essence non brûlée à l'échappement.</b></p>	Filtre à air obstrué.	Nettoyer ou remplacer le filtre à air.
	Bougie desserrée ou endommagée.	Resserrer ou remplacer la bougie. Consulter la section " <i>Caractéristiques techniques</i> " pour le type correct de bougie d'allumage. Redémarrer.
	Fuite d'air ou conduite d'essence obstruée.	Réparer ou remplacer le filtre et/ou la conduite d'essence.
	Eau dans l'essence.	Remplir avec un mélange huile/ essence récent.
	Grippage du piston. Carburateur et / ou diaphragme défectueux.	Consulter un représentant autorisé Shindaiwa.

<p><b>Le moteur cogne.</b></p>	Surchauffe	Voir ci-dessus.
	Essence inappropriée.	Vérifier l'indice d'octane, vérifier si l'essence contient de l'alcool. Remplir selon le besoin.
	Dépôts de calamine dans la chambre de combustion.	Consulter un représentant autorisé Shindaiwa.

Points à contrôler	Cause probable	Solution
Faible accélération.	<ul style="list-style-type: none"> <li>Filtre à air obstrué.</li> <li>Filtre à essence obstrué.</li> <li>Mélange essence/air pauvre.</li> <li>Régime de ralenti trop bas.</li> </ul>	<ul style="list-style-type: none"> <li>Nettoyer ou remplacer le filtre à air.</li> <li>Remplacer le filtre à essence.</li> <li>Consulter un représentant autorisé Shindaiwa.</li> <li>Régler le régime du ralenti aux valeurs inscrites dans la section de Spécifications.</li> </ul>
Le moteur s'arrête brusquement.	<ul style="list-style-type: none"> <li>Commutateur en position d'arrêt.</li> <li>Réservoir à essence vide.</li> <li>Filtre à essence obstrué.</li> <li>Bougie court-circuitée ou mauvaise connexion.</li> <li>Eau dans l'essence.</li> <li>Échec d'allumage.</li> <li>Grippage du piston.</li> </ul>	<ul style="list-style-type: none"> <li>Remettre le contact et redémarrer.</li> <li>Faire le plein. Consulter la section " Remplissage du réservoir de carburant ".</li> <li>Remplacer le filtre à essence.</li> <li>Nettoyer ou remplacer la bougie. Consulter la section " Caractéristiques techniques " pour le type correct de bougie d'allumage. Resserrer la borne.</li> <li>Vidanger le réservoir et faire le plein avec de l'essence propre. Consulter la section " Mélange de carburant ".</li> <li>Remplacer le système d'allumage.</li> <li>Consulter un représentant autorisé Shindaiwa.</li> </ul>
Moteur difficile à arrêter.	<ul style="list-style-type: none"> <li>Fil de masse (d'arrêt) débranché, ou commutateur défectueux.</li> <li>Bougie inappropriée entraînant une surchauffe.</li> <li>Surchauffe du moteur.</li> </ul>	<ul style="list-style-type: none"> <li>Vérifier et remplacer au besoin.</li> <li>Remplacer la bougie. Consulter la section " Caractéristiques techniques " pour le type correct de bougie d'allumage.</li> <li>Laisser refroidir le moteur en le laissant tourner au ralenti.</li> </ul>
L'accessoire de coupe tourne même si le moteur est au ralenti.	<ul style="list-style-type: none"> <li>Régime de ralenti trop élevé.</li> <li>Ressort d'embrayage cassé ou moyeu d'embrayage usé.</li> <li>Support de l'accessoire de coupe desserré.</li> </ul>	<ul style="list-style-type: none"> <li>Régler le régime du ralenti aux valeurs inscrites dans la section de Spécifications.</li> <li>Remplacer le ressort / les moyeux au besoin et vérifier la vitesse de ralenti.</li> <li>Inspecter et resserrer les vis.</li> </ul>
Vibrations excessives	<ul style="list-style-type: none"> <li>Accessoire de coupe déformé ou endommagé.</li> <li>Boîtier d'engrenages desserré.</li> </ul>	<ul style="list-style-type: none"> <li>Examiner et remplacer l'accessoire de coupe au besoin.</li> <li>Serrer le boîtier réducteur.</li> <li>Inspecter et remplacer, si nécessaire.</li> </ul>
Le moteur ne reviendra pas à tourner au ralenti.	<ul style="list-style-type: none"> <li>Tourner au ralenti de moteur ajusté trop haut.</li> <li>Moteur a une fuite d'air</li> <li>Axe d'entraînement courbé/bagues usées.</li> </ul>	<ul style="list-style-type: none"> <li>Régler le régime du ralenti aux valeurs inscrites dans la section de Spécifications.</li> <li>Consulter un représentant autorisé Shindaiwa..</li> </ul>
L'accessoire de coupe ne tourne pas.	<ul style="list-style-type: none"> <li>L'axe n'est pas installé dans la tête motorisée ou le boîtier réducteur.</li> <li>Axe brisé.</li> <li>Boîtier réducteur endommagé.</li> </ul>	<ul style="list-style-type: none"> <li>Inspecter et réinstaller au besoin.</li> <li>Consulter un représentant autorisé Shindaiwa.</li> </ul>

# Déclaration de garantie du dispositif antipollution

## Vos droits et obligations en vertu de la garantie

Le California Air Resources Board, l'Agence de protection de l'environnement des États-Unis (EPA) et Shindaiwa Corporation sont heureux de vous expliquer la garantie du système de contrôle des émissions de gaz d'échappement et d'évaporation sur votre nouveau petit moteur hors route.

En California, les nouveaux moteurs d'utilitaires doivent être conçus, construits et équipés de manière à répondre aux normes antipollution les plus strictes de cet État. Dans les autres États, les moteurs d'utilitaires fabriqués après 1997 doivent être conformes aux normes les plus contraignantes de l'EPA. Shindaiwa Corporation doit garantir le système antipollution de l'outil pour les périodes susmentionnées sauf en cas d'abus, de négligence ou d'entretien inadéquat.

Le système de contrôle des émissions de gaz d'échappement et d'évaporation de votre moteur inclut des pièces telles que le carburateur, le réservoir de carburant, le système d'allumage et, le cas échéant, le pot catalytique. Ces composantes sont énumérées ci-dessous.

Lorsque la garantie s'applique, Shindaiwa Corporation s'engage à réparer l'appareil gratuitement, y compris le coût du diagnostic, des pièces et de la main-d'œuvre.

## Couverture de la garantie des fabricants

La garantie du dispositif antipollution du moteur couvre l'appareil pendant une durée de deux ans à compter de la date de livraison quand il est vendu aux États-Unis. Pendant la période de garantie, Shindaiwa Corporation peut, à sa discrétion, réparer ou remplacer toute composante défectueuse du dispositif antipollution. Pendant la période de garantie originale, les droits sont réputés transférés aux propriétaires subséquents du produit.

## Couverture de la garantie

1. Composantes internes du carburateur.
  - Soupape d'accélérateur, pointeau du jet principal, membrane
2. Réservoir de carburant
3. Composants du système d'allumage
  - Bobine d'allumage
  - Volant
4. Pot catalytique (si présent à l'origine)

Le dispositif antipollution de votre appareil Shindaiwa peut également comprendre certains tubes et connecteurs.

## Responsabilités du propriétaire à l'égard de la garantie

En tant que propriétaire de l'appareil, vous êtes responsables d'effectuer l'entretien requis dans le manuel d'utilisation. Shindaiwa Corporation recommande de conserver tous les reçus d'entretien de l'appareil ; toutefois, Shindaiwa Corporation ne peut refuser une réclamation au titre de la garantie par défaut de soumettre les reçus d'entretien ou d'avoir effectué les entretiens recommandés. Shindaiwa Corporation se réserve le droit de refuser toute réclamation au titre de la garantie si l'appareil ou une pièce a fait défaut en raison d'abus, de négligence, d'entretien inadéquat ou de modifications non approuvées. Le propriétaire de l'appareil est responsable de consulter un technicien agréé de Shindaiwa Corporation en cas de problème. Les travaux au titre de la garantie doivent être terminés dans un délai raisonnable qui ne dépasse pas 30 jours.

Pour toute question sur vos droits et obligations au titre de la garantie, contactez un représentant du service à la clientèle Shindaiwa au numéro suivant : (503) 692-3070 ou le distributeur Shindaiwa de votre localité.

## Domages indirects

Dans l'éventualité où d'autres composantes du produit seraient endommagées en raison d'une défaillance d'une pièce couverte par la garantie, Shindaiwa Corporation réparera ou remplacera lesdites composantes gratuitement.

## Exclusions

5. Défaillances attribuables à de l'abus, de la négligence ou un entretien inadéquat.
6. Défaillances causées par l'utilisation de pièces ou d'accessoires modifiés ou non approuvés.

## La présente garantie est administrée par

Shindaiwa Inc.  
11975 S.W. Herman Rd.  
Tualatin, OR 97062  
États-Unis  
(503) 692-3164





**NOTES**  
**NOTAs**  
**REMARQUES**

**Français**

---

---

---

---

---

---

---

---

---

---

---

---

---

---

---

---

---

---

---

---

---

---

---

---

---

---

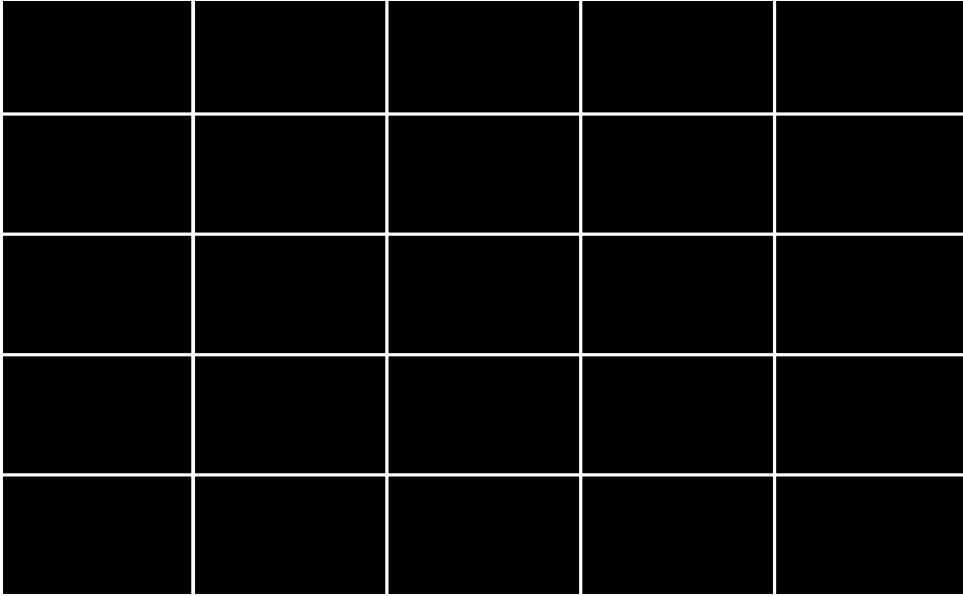
---

---

---

---





**shindaiwa®**

Shindaiwa Inc.  
11975 S.W. Herman Rd.  
Tualatin, Oregon 97062  
Telephone: 503 692-3070  
Fax:503 692-6696  
[www.shindaiwa.com](http://www.shindaiwa.com)

Shindaiwa Corporation  
Head Office: 6-2-11 Ozuka  
Nishi, Asaminami-Ku  
Hiroshima, 731-3167, Japan  
Telephone: 81-82-849-2220  
Fax:81-82-849-2481

©2009 Shindaiwa, Inc.

Shindaiwa is a registered trademark of Shindaiwa, Inc.  
Specifications subject to change without notice.